

**TKH-TB38b-FP**



	<a href="http://www.esis.com.au">www.esis.com.au</a>
	Ph 02 9481 7420
	Fax 02 9481 7267
	esis.enq@esis.com.au

Esis Pty Ltd [www.esis.com.au](http://www.esis.com.au)

**Features and benefits:**

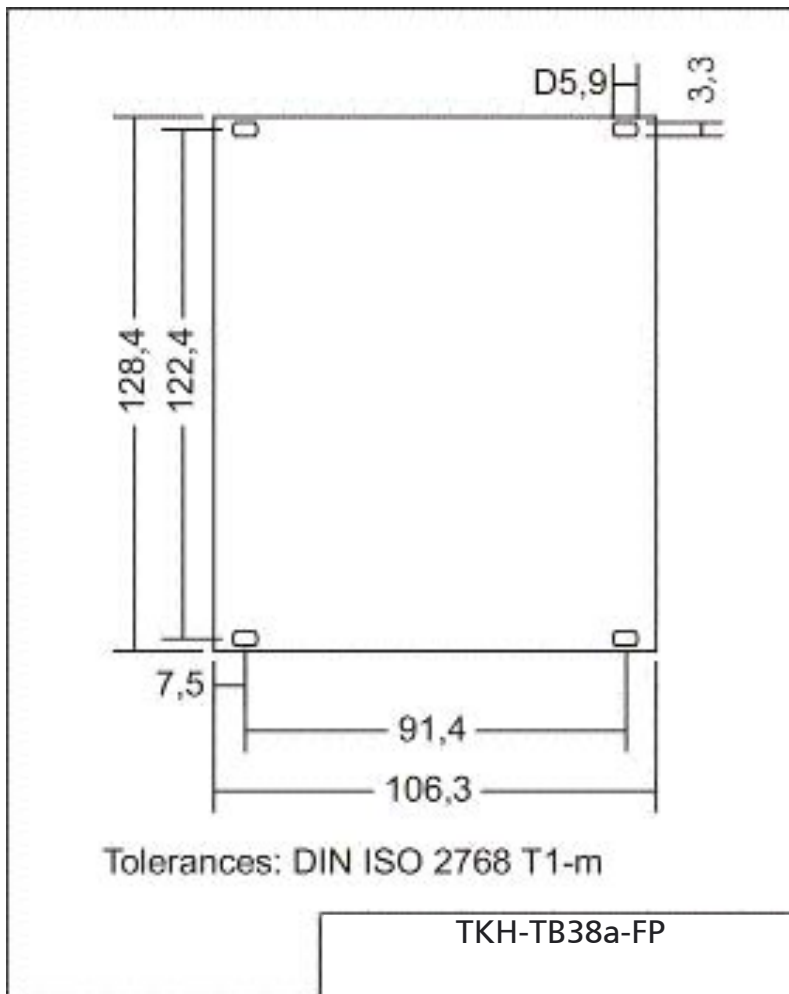
- 38 mm Industrial Trackball
- > 6 mil. ball revolutions
- PS/2 and USB compatible
- Panel mount version
- Rugged construction for reliable functionality
- Chemical, abrasion and scratch resistant frontsheet
- Ergonomic design
- IP65 (NEMA 4x) frontside sealing
- Semi or full customisation available
- Cost-effective

**Specification**

Ball Diameter: 38 mm (1.5")  
 Actuation Force: 50 g  
 Trackball Lifetime: > 6 mil. revolutions  
 Protection Level: IP65 static (NEMA 4x), IP54 dynamic,  
 Mounting Type: panel mount  
 Dimensions: 110 x 135 x 30 mm; 4.330" x 5.314" x 1.181"  
 Weight: 200 grams  
 Operating Temperature: -40 °C to 90 °C; -40 °F to +194 °F  
 Frontpanel Material: PCB-material, FR4

Cat.-No.	Product Name	
KH02003	TKH-TB38b-FP-PS/2	PS/2
KH02004	TKH-TB38b-FP-USB	USB

**TKH-TB38b-FP**



Mounting depth: 30 mm



**www.esis.com.au**  
Ph 02 9481 7420  
Fax 02 9481 7267  
esis.enq@esis.com.au

**ESIS**  
Industrial Electronics