

## MIT - Modular Industrial Keyboards

**TKH-TB38a-FP**  
38 mm Trackball Module for Industrial Keyboards



### Excellent features:

- ✓ 38 mm Plastic trackball as completing module of the MIT product family
- ✓ Trackball module is available in 2 ball-sizes
- ✓ 38 mm Trackball with low build-in depth of only 30 mm
- ✓ Best suitable for using in 19"-systems
- ✓ Easy mounting in standard racks
- ✓ Combination of different single modules is possible without limitations
- ✓ Every module is applicable also as single device

### Other Available Modules:

- ✓ Numeric Pad with 17 Keys
- ✓ 50 mm Trackball
- ✓ Silicone-Mousebutton
- ✓ Capacitive Touchpad

### Specification:

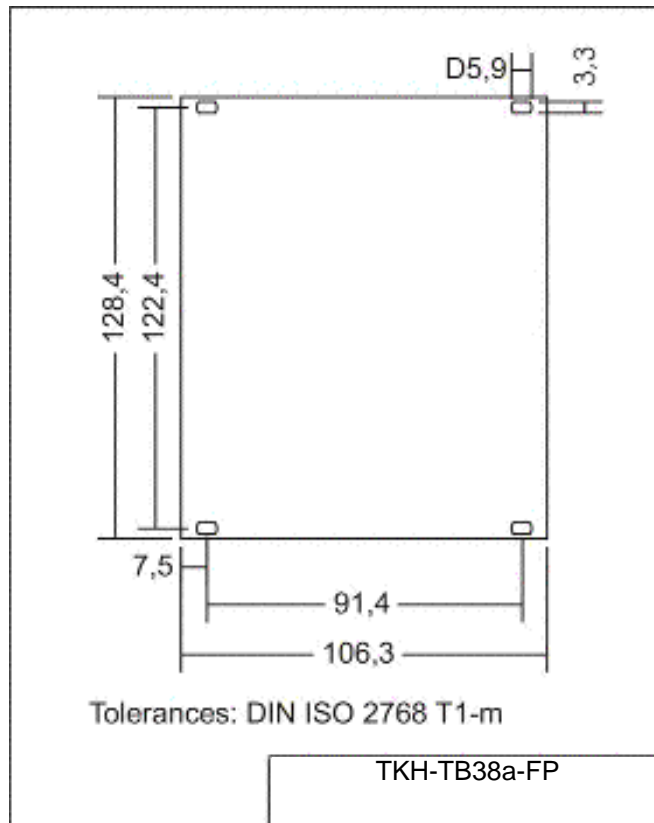
Ball Diameter:	38 mm
Tracking Force:	50 g
Lifetime:	> 6 Mio. Ball rotations
Protection Level:	IP65 static, IP54 dynamic
Electronic Interface:	PS/2; USB
Connector:	6-pin MiniDIN; USB-A
Dimensions:	106,4 x 128,4 x 30 mm 4.188" x 5.055" x 1.181"
Operating Temperature:	0 °C to 50 °C
Frontpanel Material:	Aluminium, anodized

**InduKey® Keyboard Production GmbH & Co. KG**  
Mahnbrueck 4  
D-08233 Treuen (Vogtland)  
Germany

Phone: +49 / 37468 / 650-0  
Fax: +49 / 37468 / 650-50  
E-mail: [info@indukey.com](mailto:info@indukey.com)  
Website: <http://www.indukey.com>

## MIT - Modular Industrial Keyboards

**TKH-TB38a-FP**  
38 mm Trackball Module for Industrial Keyboards



Build-in depth: 30 mm

Cat.-No.	Product Name	
KH8240	TKH-TB38a-FP-PS/2	38 mm Trackball, PS/2
KH9425	TKH-TB38a-FP-USB	38 mm Trackball; USB

**InduKey® Keyboard Production GmbH & Co. KG**  
Mahnbrueck 4  
D-08233 Treuen (Vogtland)  
Germany

Phone: +49 / 37468 / 650-0  
Fax: +49 / 37468 / 650-50  
E-mail: [info@indukey.com](mailto:info@indukey.com)  
Website: <http://www.indukey.com>