

PIN-M106

Medical Mini PC



Features

- Intel 945GME platform
- Compact housing for limited space
- Fanless design with low audible noise
- Dual display up to a resolution of 1600 x 1200
- Isolated design provides unique electric leakage protection for COM ports and LAN ports
- UL60601-1/EN60601-1, CE & FCC Class B certified
- IPX1 water resistant enclosure
- Built - in bNAND Flash module (optional)



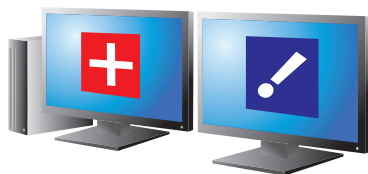
Esis Pty Ltd www.esis.com.au

Specifications

Computing System	Chipset	Intel 945GME/ICH7M Chipset
	CPU	Intel Celeron M processor ULV 1.06 GHz
	Front Side Bus	533 MHz FSB
	Memory	2 x SODIMM sockets, Supports up to 4 GB DDR2 533 DRAM
Expansion Slot	Mini PCI	1 x Mini PCI slot, supports type IIIA Mini PCI
	Mini PCI-e	1 x Mini PCI-e slot
Storage	HDD	1 x 2.5" SATA
Ethernet	Interface	3 x Gigabit LAN (RJ-45)
I/O Ports		2 x RS-232; 4 x USB ports; 1 x DVI-I port, 1 x DVI-D port; MIC-in, Line-out jack
Integrated Graphics Chip	Controller	Intel 945GME integrated, GMA 950
	VRAM	Dynamic Video Memory Technology (DVMT) 3.0 supports up to 224 MB of video memory
	Max. Resolution (per display)	1600 x 1200 at 60 Hz
	Video Out	Supports 24-bit digital output (DVI port x 2)
Power Supply	Universal AC/DC adapter	Sinpro Model no. MPU100-107 Input: +18 V _{DC} , 5.55 A max (100 Watts)
	Optional	XPiQ Model no. PCM80PS18 Input: +18 V _{DC} , 4.44 A max (80 Watts)
Environment	Temperature	0 ~ 40° C (Operating)
	Humidity	10 ~ 95% @ 40° C (non-condensing)
	Shock Resistance	20 G peak acceleration (11ms duration)
	Water/dust Resistance	IPX1 for whole system
Physical Characteristics	Dimensions (W x H x D)	261 x 185 x 67 mm (10.27" x 7.26" x 2.63")
	Weight	4.0 kg (8.82 lb)

Dual Display Support

Independent Model



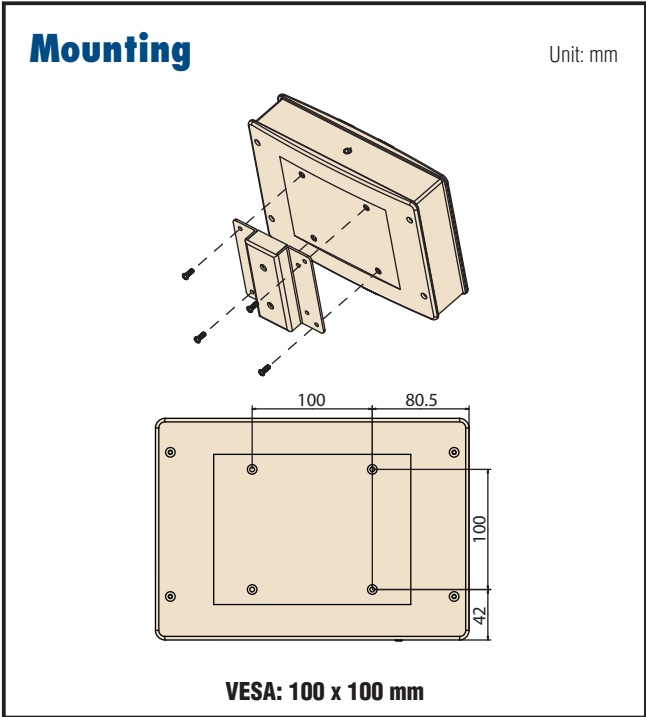
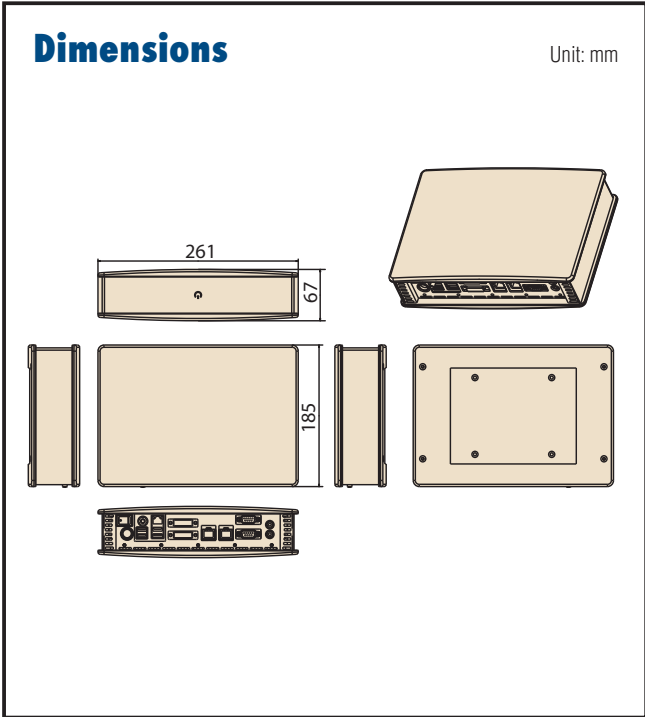
Extended Model



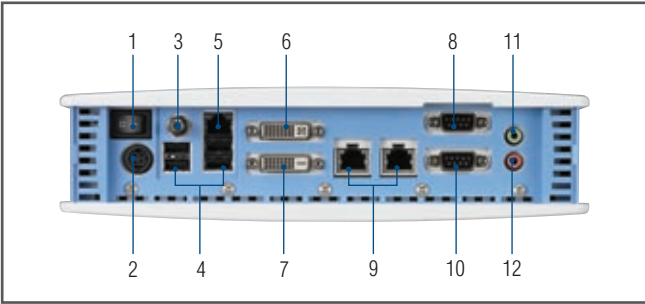
Mirror Model



Maximum Resolution: Up to 1600 x 1200



I/O Drawing



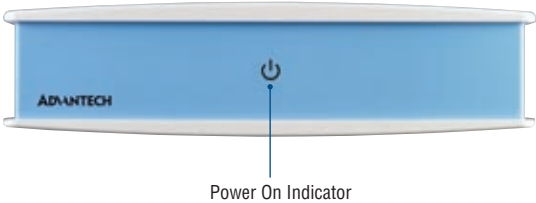
- 1. On/Off key
- 2. DC jack
- 3. Ground pin
- 4. USB 2.0 Ports
- 5. RJ45 Gigabit LAN port
- 6. DVI-I port
- 7. DVI-D port
- 8. Isolated RS-232 COM port (COM2)
- 9. Isolated RJ-45 Gigabit LAN Port
- 10. Isolated RS-232 COM port (COM1)
- 11. Line Out
- 12. Microphone-in

Accessories

Part Number	Description
1702002600	Power Cable (USA) 1.83M
1702002605	Power Cable (Europe) 1.8M
*	802.11 b/g wireless LAN module

* This accessory goes with the T Part Number. Please contact Advantech sales for more details.

Function keys



Ordering Information

Part Number	HDD 24 x 7	RAM
PIN-M106-100-AE	-	1 GB
PIN-M106-141-AE	40 G SATA	1 GB

Packing List

Description	Quantity
AC 100W SPS MPU100-107 W/PFC 100-240	1
Startup manual	1
Advantech 2-year warranty card	1
CD-ROM for Driver & Utility	1
China RoHS report & Manual	1
HDD Mounting Accessories	1