

PPC-103T

10.4" Panel PC with Intel® Pentium® III/ Celeron® Processor



Features

- 10.4" TFT SVGA LCD
- Intel® Pentium® III and Celeron® CPU up to 850 MHz
- System memory up to 512 MB SDRAM
- One optional PCI/ISA expansion slot
- One CompactFlash® Type I and II socket (True IDE Mode)
- 10/100Base-T Ethernet
- External IDE/FDD connectors



Esis Pty Ltd www.esis.com.au

Introduction

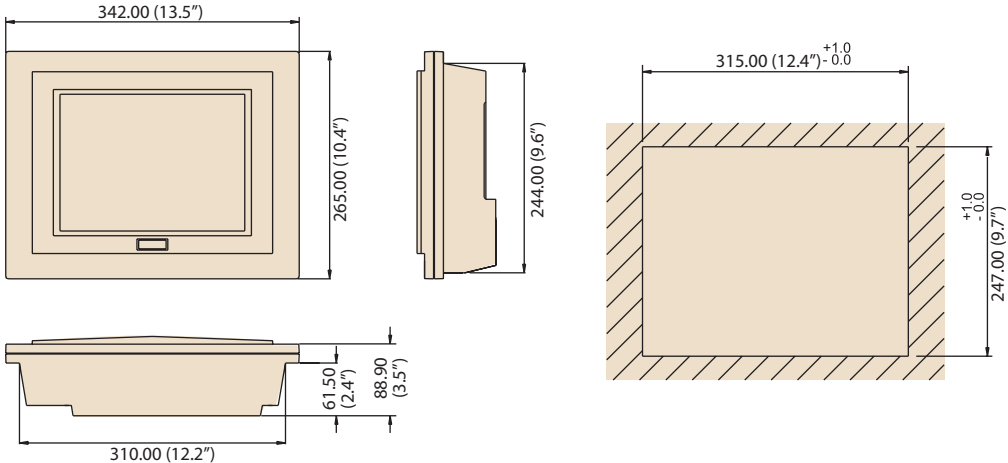
The Panel PC, PPC-103T, integrates a 10.4" SVGA TFT LCD display into a stylish and flame-resistant chassis with a depth of 61.5 mm (2.4"). It can support high performance Intel Celeron and Pentium III processors. The PPC-103T's high-brightness 800 x 600 SVGA LCD display, built-in 16-bit Sound Blaster® compatible audio controller, up to 512 MB SDRAM capacity and 10/100Base-T Ethernet controller provide integration capability to meet different application needs.

Specifications

Processor System	Display	10.4" SVGA TFT LCD	
	CPU	Supports Intel Pentium III and Intel Celeron processors, up to 850 MHz	
	Memory	Up to 512 MB SODIMM	
	HDD	1 x EIDE interface, 2.5" type	
	FDD	Supports 1 x external FDD connector	
	SSD	Supports 1 x CompactFlash Type I and II Socket (True IDE Mode)	
	I/O ports	- 4 x serial ports: 3 x RS-232, 1 x RS-232/422/485 - 1 x parallel port, 2 x USB - External VGA port - PS/2 mouse and keyboard - Built-in Mic-in / Line-out jacks	
Network	10/100Base-T Ethernet interface		
Dimensions (W x H x D)	342 x 265 x 92.4 mm (13.5" x 10.4" x 3.64")		
Weight	3.5 kg (7.7 lb)		
LCD Display	Display Type	10.4" SVGA TFT LCD	
	Max. Resolution/Colors	800 x 600 @ 256 K	
	Pixel Pitch (mm)	0.264 x 0.264	
	Luminance (cd/m ²)	230	
	Viewing Angle	60/60/35/65 (L/R/U/D)	
	Temperature	0 ~ 50° C	
	VR Controls	Yes	
	Simultaneous Mode	Yes	
	LCD MTBF	50,000 hrs	
Power Supply	AC model	Output Rating	60 W
		Input Voltage	100 ~ 240 V _{AC} @ 50/60 Hz, autoranging
		Output Voltage	+5 V @ 5 A, +12 V @ 3 A
	DC model	Output Rating	75 W
		Input Voltage	18 V _{DC} ~ 36 V _{DC} , typical 24 V _{DC} , 4.2 A max
	DC model (optional)	Output Rating	65 W
Input Voltage		9.5 V _{DC} ~ 18 V _{DC} , typical 12 V _{DC} , 6.8 A max	
Touchscreen (optional)	Output Voltage	+5 V @ 7 A, +12 V @ 2 A	
	Type	Analog resistive	Infrared
	Resolution	Continuous	4096 x 4096
	Light Transmission	75%	91%
	Controller	RS-232 interface (COM 4)	RS-232 interface (COM4)
	Power Consumption	+5 V @ 200 mA	+5 V @ 150 mA
	Software Driver	Supports both DOS and Windows	
Durability	10 million touches	100,000 hrs	

Dimensions

Unit: mm (inch)



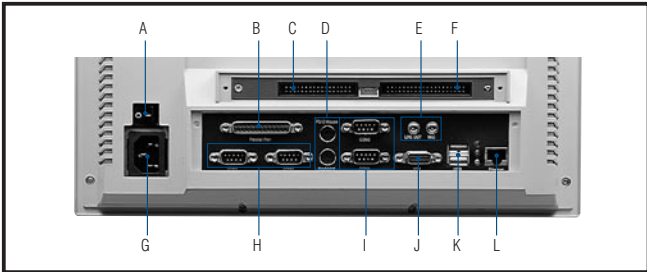
Environmental Specifications	Operating Temperature	0 – 45° C (32 ~ 113° F)
	Relative Humidity	10 ~ 95% @ 40° C (non-condensing)
	Shock (Operating)	10 G peak acceleration (11 ms. duration)
	EMC	CE, FCC Class B, VCCI, CCC
	Safety	UL, CE
	Front Panel Protection	IP 65/NEMA 4 compliant

Ordering Information

Part No.	Description
PPC-103T-BBARE	Bare BOM: PPC-103T-BBARE Intel Pentium III, Intel Celeron Panel PC with 10.4" TFT SVGA LCD display
PPC-103DC-BBARE	Bare BOM: PPC-103DC-BBARE PPC-103T with 24VDC power supply (12 VDC is optional)
PPC-103T-BBAR-TE	Bare BOM: PPC-103T-BBAR-TE PPC-103T with resistive touchscreen
PPC-103DC-BBA-TE	Bare BOM: PPC-103DC-BBA-TE PPC-103T-RT with 24VDC power supply (12 VDC is optional)
PPC-100 STAND	Stand kit for PPC-100/103 series
PPC-100 SWINARM	Swingarm kit for PPC-100/103 series
PPC-100 WALL-MT	Wall mount kit for PPC-100/103 series
PPC-EXP-103	PCI/ISA expansion kit for PPC-103
1702002600	POWER Cable UL/CSA(USA) 180D 125V10A 1.83M

* Infrared touchscreen with sunlight readable panel can be ordered via the OEM process, and both items can be ordered separately

Fully-Integrated I/O



- A. Power switch
- B. Parallel port
- C. FDD port
- D. PS/2 mouse & keyboard
- E. Mic-in/Line-out
- F. IDE port
- G. AC inlet
- H. COM ports
- I. COM ports
- J. VGA port
- K. USB ports
- L. Ethernet

Applications

- Point-of-information/Point-of-sales terminals
- Interactive kiosks
- Entertainment terminals
- Banking/Office automation
- Production process control
- Factory automation systems