

# Infotainment



## Selection Guide

		Infotainment		
Model Name		PIT-1702	POI-1501	EH-7106
Processor		Intel Celeron M ULV 1.06 G / Core2 Duo 1.06 G	Intel Celeron M 600 MHz W/I 512 K cache	Intel Celeron M 600 MHz W/I 512 K cache (fanless)
Memory	Size	1 GB	512 MB	512 MB
	Module Type	DDR2 DRAM	DDR DRAM	DDR DRAM
2nd Cache Memory			512 K cache	512 K cache
Display	Size/Type	17" TFT color LCD	15" color TFT-LCD	10.4" TFT color LCD
	Max. Resolution	1280 x 1024	1024 x 768	800 x 600
	Brightness (cd/m <sup>2</sup> )	300 cd/m <sup>2</sup>	350 cd/m <sup>2</sup>	230 cd/m <sup>2</sup>
	Viewing Angle	178/178		
	Brightness Control	PWM	Analog	Analog
VGA	Chipset	Intel 945GME	Intel 852GM GMCH	Intel 852GM GMCH
HDD/Type		2.5" SATA 80 GB	2.5" PATA 80 GB	External Type II CompactFlash up to 2 GB
I/O Port		USB Port x 3 / Smart Card Reader / Line out / Microphone in	USB Port x 2 / RS-232 / RS-458 / Video-in & out	IDE CF Soc / GPIO 4-PIN Header Connector / Mini PCI for WLAN / USB Port x 2 / RS-232 / RS-485
Bus Expansion		mini-PCI slot 1 (for WLAN)	mini-PCI slot 1	mini-PCI slot 1
Network (LAN)		10/100 Mbps Ethernet (RJ-45) x 1	2 x 10/100 Mbps Ethernet (RJ-45)	1 x 10/100 Mbps Ethernet (RJ45)
Power	Output Rating	+18 V <sub>DC</sub> , 4.44 A max	19 V <sub>DC</sub>	19 V <sub>DC</sub>
	Input Voltage	100 ~ 240 V <sub>AC</sub> , 1.1 ~ 0.45 A @ 47~ 63 Hz	100 ~ 240 V <sub>AC</sub>	100 ~ 240 V <sub>AC</sub>
Touch screen	Technology	Analog Resistive	Resistive	Resistive
	Control Port	USB interface	USB interface	USB interface
	Light Transmission	75%	> 80%	> 80%
	OS Support	Embedded XP	Embedded XP	Embedded XP
	Touch Life Cycle	30 million touches	10 million touches	10 million touches
Working Temperature		0 ~ 40° C	0 ~ 40° C	0 ~ 40° C (32 ~ 104° F)
Certificate		CE, FCC, CCC, CB, UL, EN 60601-1 approved	FCC / CE Class B, CCC	UL, FCC/CE Class B, CCC
Dimensions (W x H x D)		448 x 393 x 73.5 mm (17.64" x 8.31" x 2.89")	350 x 490 x 60 mm (13.78" x 19.29" x 2.36")	315 x 240 x 60 mm (12.4" x 9.45" x 2.36")
Weight		6.8 kg (14.99 lbs.) / 7.0 kg (15.43 lbs.) with handset	5.0 kg (11 lbs.)	2.5 kg (5.50 lbs.)

# PIT-1702

## Patient Infotainment Terminal



### Features

- Intel® Celeron® M ULV 1.06 GHz/Core 2 Duo 1.06 GHz
  - Fanless
  - 17" TFT-LCD with touchscreen
  - Built-in 1.3 megapixel CMOS camera
  - Built-in Mic, speaker & head-set support
  - Equipped with RFID/WiFi/Smart Card Reader
  - Built-in emergency key & 2 x indicators
  - Multiple input supports: RJ-45, USB x 2
  - Windows XP Embedded architecture
  - EN60601-1 certification approved
  - Rich options
  - \*TV tuner (analog & DVBT)
  - \*Handset
  - \*Wired remote controller (6 keys)
- Notes: \*optional items



### Introduction

The PIT-1702, a 17" multi-function terminal with touchscreen, WiFi, RFID, handset, smart card reader, and 1.3 megapixel CMOS camera, is a standard product of Advantech which targets the patient terminal and healthcare market. A built-in Intel Celeron M 1.06 GHz processor and Microsoft Windows XPE Embedded software provides patients with various entertainment programs such as TV, movies or computer games. The 1.3 megapixel camera, WiFi and Ethernet (RJ-45) connectivity provides video phone service to help patients communicate with their families by internet. Identification recognition for both hospital staff and patients is possible with the RFID and smart card reader. Added flexibility is provided through I/O interfaces such as USB ports, an earphone and a microphone jack. Additionally, an LED light indicator and nurse call button help alert hospital staff to important incidents.

### Specifications

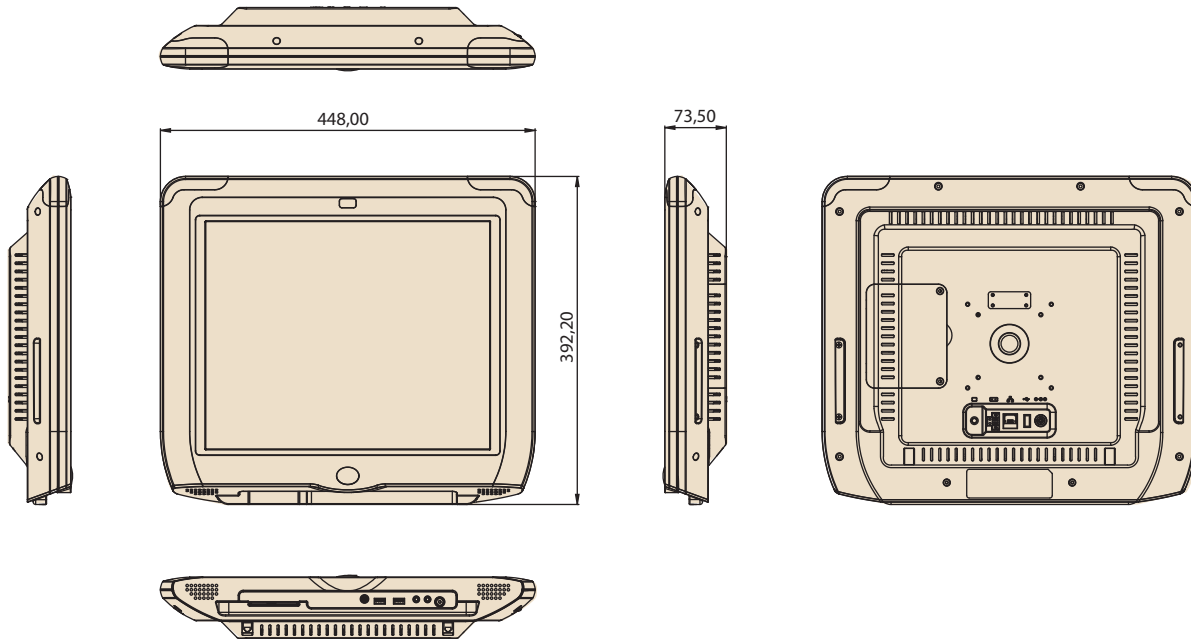
Hardware	CPU	Intel Celeron M ULV 1.06 GHz /Core 2 Duo 1.06 GHz
	Front Side Bus	Supports FSB 533/667MHz
	System Chipset	Intel 945GME
	Memory	1 GB DDRII DRAM
	Storage	HDD: 2.5" SATA 80G
	Camera	1.3 megapixel CMOS camera
	Bus Expansion	mini-PCI slot x 1 (for WLAN)
Display	Size	17" TFT color LCD
	Max Resolution	1280 x 1024
	Viewing Angle	178/178
	Luminance	300 cd/m <sup>2</sup>
	Contrast Ratio	800:1
Touchscreen	Type	Analog Resistive
	Light Transmission	75%
	Controller	USB interface
	Durability	30 million touches
I/O Ports	USB Port	3
	Smart Card Reader	1
	Line out	1
	Microphone in	1
Audio	Speaker	1W x 2
	Microphone	1
Network	LAN	10/100 Mbps Ethernet (RJ-45) x 1
	WLAN	802.11 b/g wireless LAN
Emergency Alarm	Hotkey	1
	LED Light Indicator	2
Bus Expansion	mini-PCI slot	1 (for WLAN)
Software	Operating System	Embedded XP
Mechanical	Mounting	VESA 75/100 mm
	Dimensions (W x H x D)	448 x 393 x 73.5 mm (17.64" x 8.31" x 2.89")
	Weight	6.8 kg (14.99 lbs.) / 7.0 kg (15.43 lbs.) with handset

Computer On Modules	1
Embedded Single Board Computers	2
Industrial Motherboards	3
Slot Single Board Computers	4
Box IPCs	5
Pre-Configured Systems	6
Industrial Computer Chassis	7
Embedded Core Services	8
Industrial Computer Peripherals	9
Panel PCs	10
Display Solutions	11
Vehicle Mounted Computers	12
Portable Computers	13
Mobile Data Terminal	14
Digital Video Surveillance	15
Infotainment	16
LCD Services	17

## PIT-1702

### Dimensions

Unit: mm (inch)



### Specifications

Options	TV Tuner	1 (Analog & DVBT)
	Handset	1
	Remote Controller	6 keys
Power Supply	AC/DC Adapter	
	Input Voltage	100 ~ 240 V <sub>AC</sub> , 1.1 ~ 0.45 A @ 47~ 63 Hz
	Output Voltage	+18 V <sub>DC</sub> , 4.44 A max
Environment	Operating Temperature	0 ~ 40° C
	Certifications	CE, FCC, CCC, CB, UL, EN 60601-1 approved

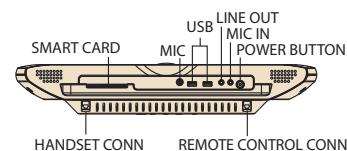
### Ordering Information

Part Number	Description
<b>Celeron M Platform</b>	
PIT-1702-CST0E	17", Intel 945 Celeron M 1.06 G, 1 G SDRAM, 80 G HDD
PIT-1702-CTV0E	PIT-1702-CST0E+TV tuner
PIT-1702-CHT0E	PIT-1702-CST0E+Handset
PIT-1702-CRC0E	PIT-1702-CST0E+wired remote controller (6 keys)
<b>Core2 Duo Platform</b>	
PIT-1702-UST0E	17", Intel 945 Core2 Duo 1.06 G, 1 G SDRAM, 80 G HDD
PIT-1702-UTV0E	PIT-1702-UST0E+TV tuner
PIT-1702-UHT0E	PIT-1702-UST0E+Handset
PIT-1702-URC0E	PIT-1702-UST0E+wired remote controller (6 Keys)

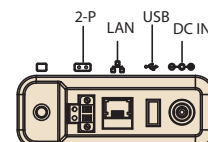
### Accessories

Part Number	Description
PIT-1702-HSKE	Handset
PIT-1702-RCKE	Wired remote controller (6 keys)

### Bottom I/O Placement



### Rear I/O placement



### Packing List

Description	Quantity
CD Utility	1
AC/DC Power Adapter	1
User Manual	1

# POI-1501

## Residential Terminal



### Features

- Fanless, high performance platform with Intel® Celeron® M 600 MHz and a Windows XPE Embedded kernel
- Superior 15" high quality LCD display with touchscreen
- Four programmable function keys for hot key or quick apps launch
- Rich multimedia capability for pleasant user interaction
- Comprehensive I/O connectivity options - Dual Ethernet, RS-485, RS-232, USB 2.0, etc
- Video in/ out for surveillance & TV connection
- Advantech SUSI API manager is supported for easy SI development



### Introduction

The POI-1501, a 15" multi-function intelligence terminal with touch panel, four hot keys, built-in handset and 1.3 megapixel CMOS camera is a standard Advantech product which targets the home residential and healthcare market. Built-in Intel Celeron M 600 MHz processor and Microsoft Windows XPE embedded software provide great performance with variety of customization features for control. Comprehensive I/O interface, including RJ-45, USB, RS-232, and RS-485 provide greater flexibility to system integrators, shortening their installation schedule. Two LAN ports offer more stability and protect the system from intrusion by allowing for separate connections between the internet and an intranet. The POI-1501 is available in silver or black.

### Specifications

Hardware	CPU	Intel Celeron M 600 MHz W/ 512 K cache
	Memory	512 MB
	HDD	80 GB
	PCI Slot	1 x mini PCI
	Network (LAN)	2 x 10/100 Mbps Ethernet (RJ-45)
	Hot Keys	4 x GPIOs (reserved for SI)
	Built-in Camera	1.3 megapixel CMOS camera
Display	LED Indicator	1 x power indicator
	Size	15" color TFT-LCD (1024 x 768)
	Resolution	1024 x 768
	Pixel Pitch	0.297 x 0.297
Touch Screen	Contrast Ratio	400 : 1
	Luminance (cd/m <sup>2</sup> )	350 cd/m <sup>2</sup>
	Type	Resistive
	Light Transmission	> 80%
Audio	Controller	USB interface
	Durability	10 million touches
I/O Ports	Speaker	1W
	Microphone	1
	USB Port	2 x USB 2.0
	RS-232	1
Software	RS-485	1
	Video-in	1
	Video-out	1
Mechanical	Operating System	Embedded XP
	Mounting Type	Wall mounting
	Material Type	Metal feeling
	Customization	Logo/button printing
	Dimensions (W x H x D)	350 x 490 x 60 mm (13.78" x 19.29" x 2.36")
Power	Weight	5.0 kg (11 lbs.)
	Power Consumption	< 48 W
	AC/DC Adapter	1
	Input Voltage	100 ~ 240 V <sub>AC</sub>
Environment	Output Voltage	19 VDC
	Operating Temperature	0 ~ 40° C
	Certifications	FCC / CE Class B, CCC

Computer On Modules 1

Embedded Single Board Computers 2

Industrial Motherboards 3

Slot Single Board Computers 4

Box IPCs 5

Pre-Configured Systems 6

Industrial Computer Chassis 7

Embedded Core Services 8

Industrial Computer Peripherals 9

Panel PCs 10

Display Solutions 11

Vehicle Mounted Computers 12

Portable Computers 13

Mobile Data Terminal 14

Digital Video Surveillance 15

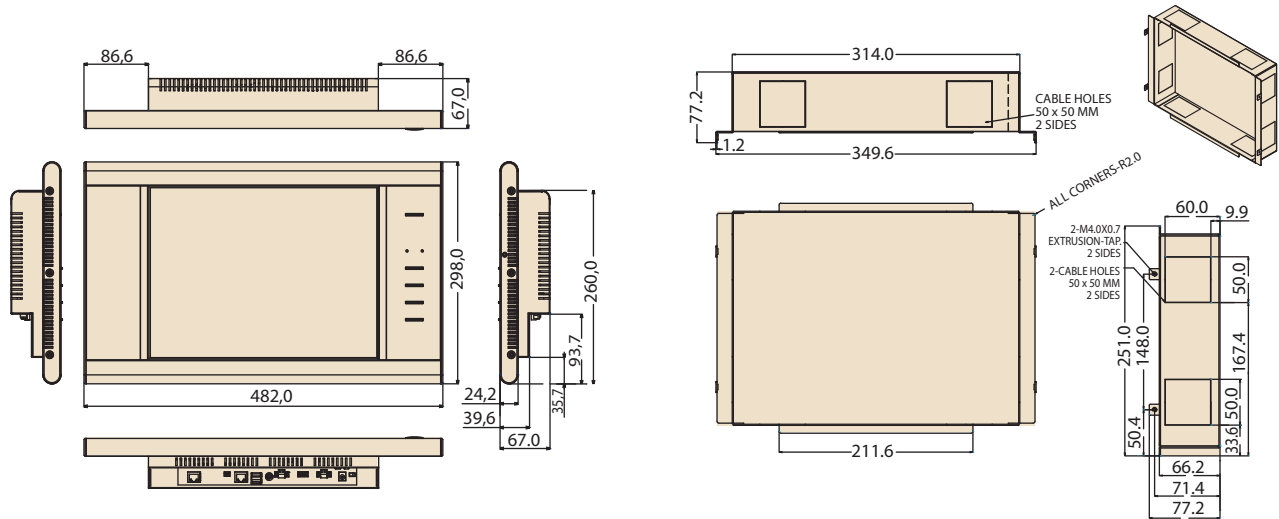
Infotainment 16

LCD Services 17

## POI-1501

### Dimensions

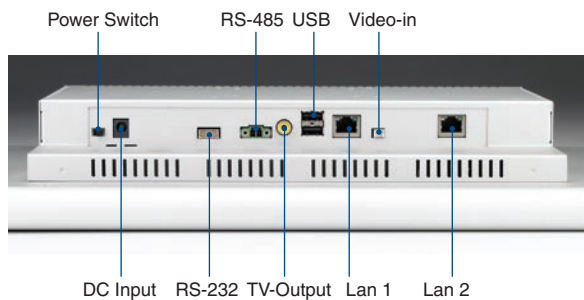
Unit: mm (inch)



### Applications

- Home Automation
- Hospital Bed-side
- Advertising Distribution Center
- Home Security
- Home Healthcare

### I/O Placement



### Ordering Information

Part Number	Description
POI-1501-GPC1E	15" LCD, Celeron M 600 MHz, 512 MB SDRAM, 80G HDD
1960014838N000	Wall-box for POI-1501

### Packing List

Description	Quantity
CD Utility	1
AC/DC Power Adapter	1
User Manual	1

# EH-7106

## Residential Terminal



### Features

- Microsoft Windows® XP Embedded
- CCD camera
- Handset
- 10.4" TFT LCD with touchscreen
- Four LED indicators
- Built-in microphone
- Built-in speaker
- Four programmable function keys
- One emergency button



### Introduction

The EH-7106 residential terminal is Advantech's standard product supplied with a Microsoft Windows® XP Embedded software kernel installed. The compact mechanical structure offers a smart, modern design that matches the entire Advantech residential terminal product family. The EH-7106 is equipped with an Intel® Celeron® M 600 MHz processor, touchscreen, CCD camera & handset. The unit plays a key role as part of a home/building security & automation solution. The unit connects service/emergency calls and sensor signals of an apartment unit, through a LAN connection, to a central administration center. The handset of the eHome terminal can act as a door phone or intercom phone through its RS-232/485 ports, and its analog audio signals. In addition, LonWorks® is also compatible with this Advantech eHome platform, so it can function seamlessly with other LonWorks enabled devices.

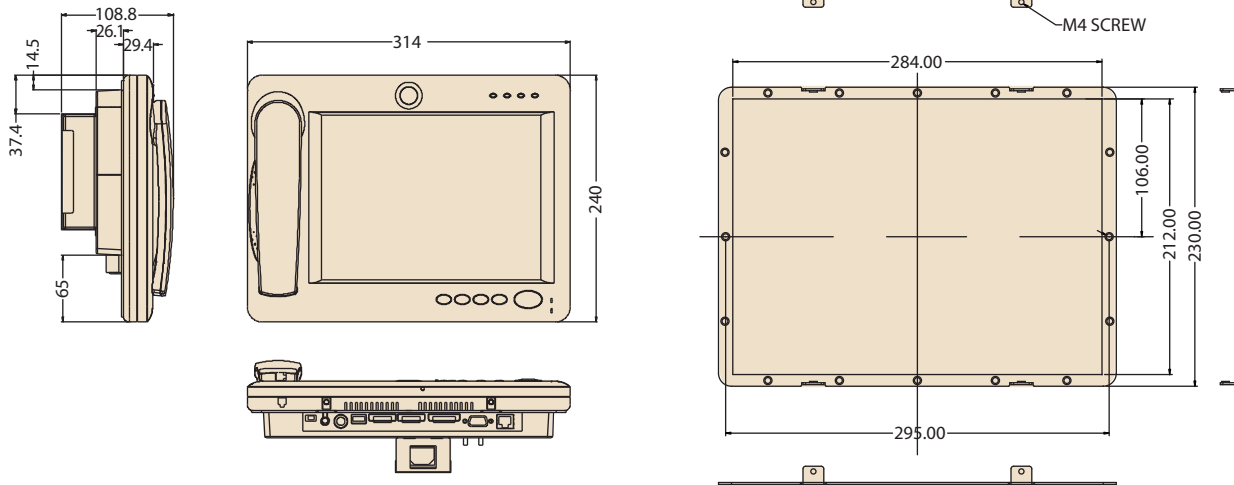
### Specifications

Hardware	CPU	Intel Celeron M 600 MHz W/1 512 K cache (fanless)
	Memory	Working 512 MB SDRAM
	Storage	External Type II CompactFlash up to 2 GB
Display	Panel Type	TFT color LCD (LVDS)
	Screen Size	10.4"
	Resolution	800 x 600
	Luminance	230 cd/m <sup>2</sup> with integrated resistive touchscreen
User Interface	Stylus Pen	No
	Hotkeys	4 x Keys & 1 Emergency Button with LEDs
	LEDs	4 x Status LEDs
	CCD	300K pixels (PCI)
I/O Interfaces	IDE CF Socket	1
	GPIO	4-PIN Header Connector
	Mini PCI	1 for WLAN
	USB	2 USB (2.0)
	RS-485	1
Ethernet Interface	RS-232	1
	RJ-45	10/100 Mbps Ethernet
A/V Interfaces to Door Phone	Audio Signal Interface	Yes
	TV-out	RCA connector for NTSC/ PAL
	Video-in	2-pin header
	Door unlock button	Yes
Multimedia Functions	Handset	1 for intercom communication
	Audio	Built-in microphone/speaker
Door Phone Interface	Video	Video-In/ TV-out
	Handset	Yes
	Audio Signal Interface	Yes
Embedded OS	Door Unlock Button	Yes
	XP Embedded	Yes
	Power Consumption	< 48 W
	Dimensions (W x H x D)	315 x 240 x 60 mm
	Weight	2.5 kg (5.50 lbs.)
	Operating Temperature	0 ~ 40° C (32 ~ 104° F)
Certifications	UL, FCC/CE Class B, CCC	

Computer On Modules	1
Embedded Single Board Computers	2
Industrial Motherboards	3
Slot Single Board Computers	4
Box IPCs	5
Pre-Configured Systems	6
Industrial Computer Chassis	7
Embedded Core Services	8
Industrial Computer Peripherals	9
Panel PCs	10
Display Solutions	11
Vehicle Mounted Computers	12
Portable Computers	13
Mobile Data Terminal	14
Digital Video Surveillance	15
Infotainment	16
LCD Services	17

## Dimensions

Unit: mm (inch)



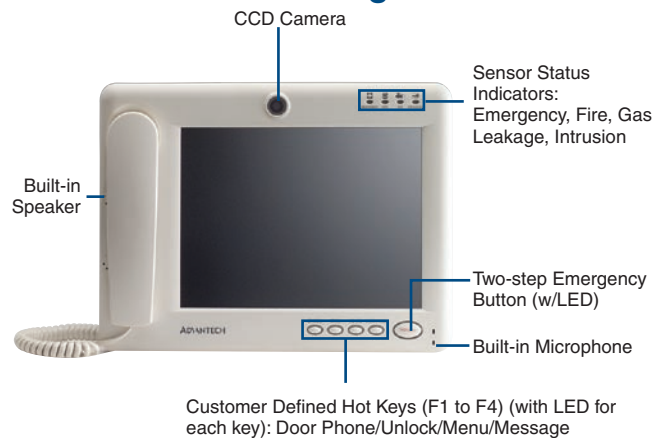
## Ordering Information

Part Number	Description
EH-7106-XP0E	Intel Celeron M 600MHz W/1 512 K cache, 512 MB SDRAM, 2 GB CFC, XPE
1960019033N000	Wall-box for EH-7106

## Packing List

Description	Quantity
Mounting Rack	1
CD Utility	1
AC/DC Power Adapter	1
User Manual	1

## I/O Indicator Drawing



## Applications

Home Security  
 Nursing Service/Video Health Care  
 Emergency Call/Intercom  
 Door Phone/Intercom

## For System Integrators

- Enhanced Intercom with audio noise cancellation (cancels echo/background noise)
- Microsoft Windows XP Embedded
- Function key ready, programmable for SIs
- Hands-free functionality for a variety of applications
- RS-protocol; LonWorks is also available
- Optional Mounting Bracket