

# Intelligent Serial & Parallel Port Sharing

Serial & Parallel Ports - in any direction

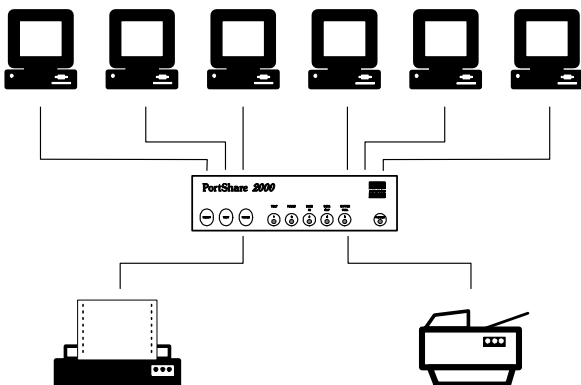


## Superfast Printer Sharing

The A Series A2000/2100 products are superfast, low-cost intelligent peripheral sharing devices with buffering. Eight ports are available to create a working environment with any combination of PCs and printers. The units are simple to install and effectively provide a direct connection between each PC and the printers. There is nothing complicated to learn, just plug in and use.

The A2000/2100 provides up to 8Mbytes of data buffer using industry standard SIMM technology in any combination of 256K, 1Mb or 4Mb SIMMs. Buffer memory is dynamically allocated, meaning that each user has the entire contents of the buffer memory available for use.

The diagram below shows a typical setup:



## Versatile Device Sharing

The A Series A2000 and A2100 are truly versatile Peripheral Sharing Devices with the ability to both share and concentrate a wide range of devices. This might include computers, printers, plotters, modems, cash registers, electronic scales, sensors - the list is endless.

The A2000/2100 will connect any device to another in any combination through its 8 ports.



## Features and Benefits

- Transfer Graphics Images and Text data at 46,000 characters per second.
- Removes the bottleneck created by other printer sharing devices thereby saving you considerable time and money.
- Set it up the way **you** want it.
- Connecting multiple printers allows true sharing of your print resources - no time will be wasted as all the printers can print simultaneously.
- Easy to use printer selection software.
- No need to learn complicated software just to select a printer - just click and use.
- Connect up to 8 devices in combinations of RS-232, RS-422 and Centronics Parallel.
- Flexible enough to meet changing office requirements - conversion is automatic.
- Uses SIMMs for up to 8Mb of data buffer.
- SIMMs used as standard memory in PCs.
- Configuration & Performance Reports.
- Simplifies installation, maintenance and site cable fault finding.
- User definable Strings for each device.
- Advanced custom tailoring for your printing or device sharing environment.



## WINDOWS Software

The A2000/2100 features easy to use WINDOWS Setup and Control software with over 100Kbytes of on-line help file to assist from any point within the software. Once the Setup is complete each user has access to the Control software which may be personalised to meet individual requirements.

Our bi-directional parallel ports allow the upload and download of Setup parameters. This provides the flexibility to use either the serial or parallel ports to Setup the unit.



## DOS Software

The A2000/2100 is also supplied with easy to use DOS Setup and Control software in GUI format. It has the same 'look' and functionality as the WINDOWS software. This software may be used with either the keyboard or a mouse.

## Other Environments

The built-in ASCII Command Language means that the A2000/2100 may be Setup and Controlled from any device that is able to send a simple ASCII string. This would range from UNIX environments right down to industrial controllers. The applications for the A2000/2100 are virtually unlimited.

## Quality

A product must continue to perform once it is installed. Our ASeries A2000/2100 have been designed throughout with quality in mind. From the powder coated case to the special diode protection circuitry, the A2000/2100 have features that will protect your investment when exceptional circumstances arise.

'Quality by design' forms the basis for the Guarantee of Quality provided by the Alfatron ASeries Range of Products.

## Versatile Serial Handshaking

Apart from normal DTR/DSR Handshaking the A2000/2100 provides 4 variations of Software (Xon/Xoff) handshaking. These are Standard Xon/Xoff, Xon/Xoff Transmit Only, Robust Xon/Xoff and Robust Xon/Xoff Transmit Only.

This flexibility allows a wide variety of connectivity options using the A2000/2100 as a port sharing device.

## Using RS-422 Serial

Two optional ports are available on the A2000/2100 for applications which require RS-422 Serial. These ports may be configured as RS-422 and used with devices requiring this particular protocol.

These ports may also be used in conjunction with the ASeries A440 Interface Converter to provide long distance RS-232 communication to the A2000/2100.

---

### A2000 and A2100 SPECIFICATIONS

---

**Ports A2000:** 6 Serial, 2 Parallel

**A2100:** 6 Parallel, 2 Serial

**Buffer:** 256Kb, 1Mb or 4Mb SIMMs may be used in any combination for a total of 8Mb buffer

**Parallel Port:** Centronics protocol  
DB-25 Female connector

**Serial Port:** RS-232C (V.24) Standard  
RS-422A Standard  
300 to 76,800 bits per second  
7 or 8 data bits  
None, Odd or Even Parity  
Hardware Handshaking (DTR/DSR)  
Standard Xon/Xoff  
Standard Xon/Xoff Transmit Only  
Robust Xon/Xoff  
Robust Xon/Xoff Transmit Only  
DB-25 Male configured as DCE

**Control Panel:** Three tactile push button keys

**LED Indicators:** Test, Pause, Data In, Data Out, Buffer Full

**Power Supply:** 12V (750mA) DC Plug Pack  
Fuse and reverse insertion protection.  
Plug jack: 5.5mm outer/2.5mm inner.  
Outer Negative.

**Dimensions:** 250mm x 212mm x 78mm

**Weight:** 1.86kg

**Operating Temp:** 0° to 45° Celsius

**Storage Temp:** -10° to 60° Celsius

*All specifications are subject to change without notice*