

APPLICATION SHEET

Detecting abnormal exothermic heat of electronic component.

TP-L helps:

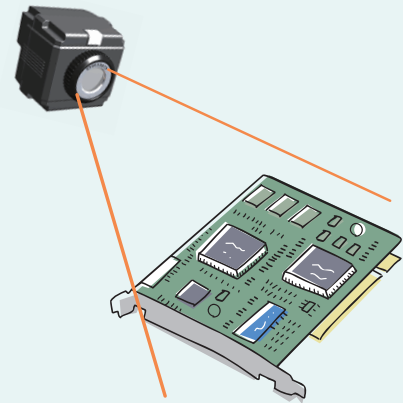
Do you have any concern regarding defective board and circuit ?

TP-L can assist you to investigate the cause of abnormal exothermic heating area.

As the investigating method of poor performance circuit, detecting abnormal exothermic heating area is the fast way of solving issue.

Affordable thermal imaging sensor makes it possible to consider the installation.

Using TP-L to obtain temperature distribution on the board and monitoring abnormal heating area will be able to reduce hours of initial analysis.



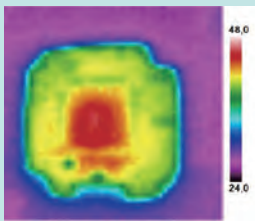
Features

Obtain temperature distribution on the board.

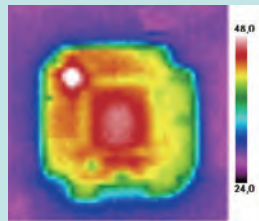
Abnormal exothermic heating area can be screened by visual or automatic (Connecting to PLC) Image(JPG)and temp data(CSV)will be stored consecutively into the PC.

To create inspection standard file and to monitor changes in exothermic heat state would be effective.

Image Screening



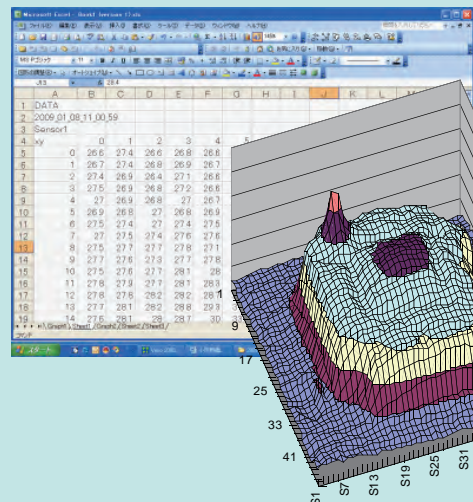
Normal condition



Defect condition



Analyzing Data



	A	B	C	D	E	F	G	H	I	J
1	DATA									
2	2009.01.08.11.00.59									
3	Sensor1									
4	key	0	1	2	3	4				
5	1	26.6	27.4	26.6	26.8	26.8				
6	1	26.7	27.4	26.8	26.9	26.7				
7	2	27.4	26.9	26.4	27.1	26.8				
8	3	27.5	26.9	26.8	27.2	26.8				
9	4	27	26.9	26.8	27	26.7				
10	5	26.9	26.8	27	26.8	26.9				
11	6	27.5	27.4	27	27.4	27.8				
12	7	27	27.5	27.4	27.6	27.6				
13	8	27.5	27.7	27.7	27.8	27.1				
14	9	27.7	27.6	27.8	27.7	27.8				
15	10	27.5	27.6	27.7	28.1	28				
16	11	27.6	27.8	27.7	28.1	28.3				
17	12	27.6	27.6	28.2	28.2	28.1				
18	13	27.7	28.1	28.2	28.8	29.3				
19	14	27.5	28.1	28	28.7	30				

