

Product information

Product Code	Load capacity	Material	Style
L-PB / PW (Black / White)	2-9kg (4.4-19.8lbs)	Aluminium / Steel	Polished finish with high gloss black or white trim

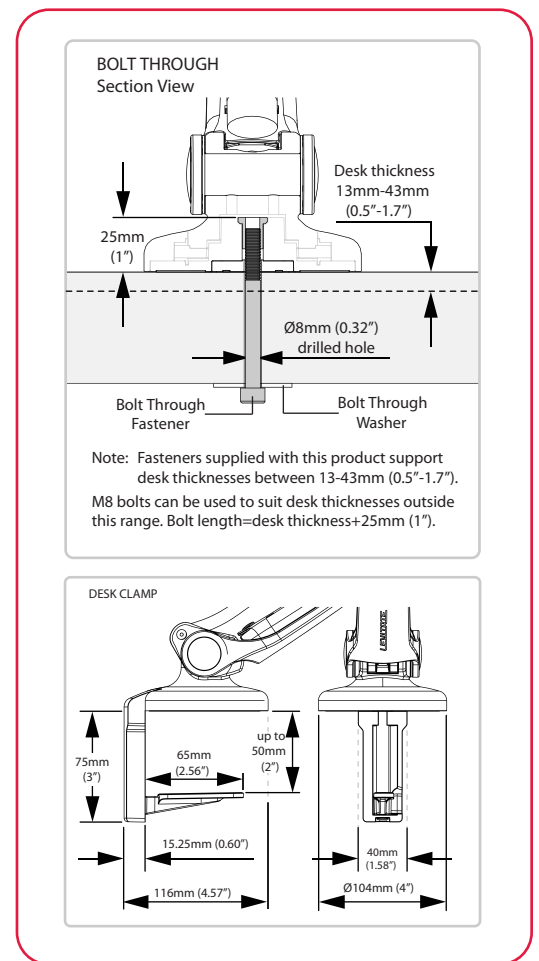
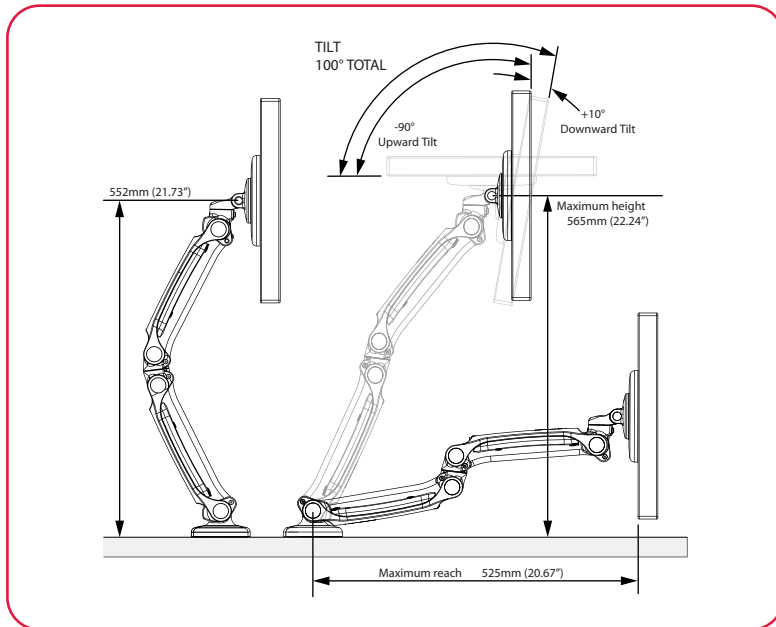
Package information, single unit

Size (L x W x H)	Ship weight	UPC code (Black / White)	Contents
410x370x125mm (16.1"x14.6"x4.9")	4.55kg (10lbs)	8814930006461/ 881493006485	Bolt through & clamp attachments, mounting screws, security screw, spacers, cable clip, rotation limiter, Allen keys and install guide

Package information, master pack

Size (L x W x H)	Ship weight	UPC code (Black / White)	Units per master pack
515x420x410mm (20.3"x16.5"x16.1")	20kg (44lbs)	881493006478/ 881493006492	4

Technical drawings



Related Products:

LM-PW	Mac display desk mount (White)
LD-PB/PW	Dual display desk mount (Black / White)
LH-PB/PWW	High weight desk mount (Black/White)
LMH-PW	Mac high weight desk mount (White)
LW-PB/PWW	Wall mount (Black / White)
LWM-PW	Mac wall mount (White)
LHDC-B/WD	Heavy Duty 2.5" Desk Clamp (Black / White)
AC-AP-2010	200x100mm VESA Adaptor Accessory

Atdec mounts are designed, developed and tested in Australia. We manufacture an extensive range of display and projector mountings for a variety of user types and situations. While all efforts have been made to ensure the information in this brochure was correct as of the date of printing, we reserve the right to change specifications without notice. Please refer to the website for our full range along with the latest details on specifications, compatibility and dealer location. Atdec and telehookare registered trademarks with all rights reserved. Copyright June 2011 V1.0

