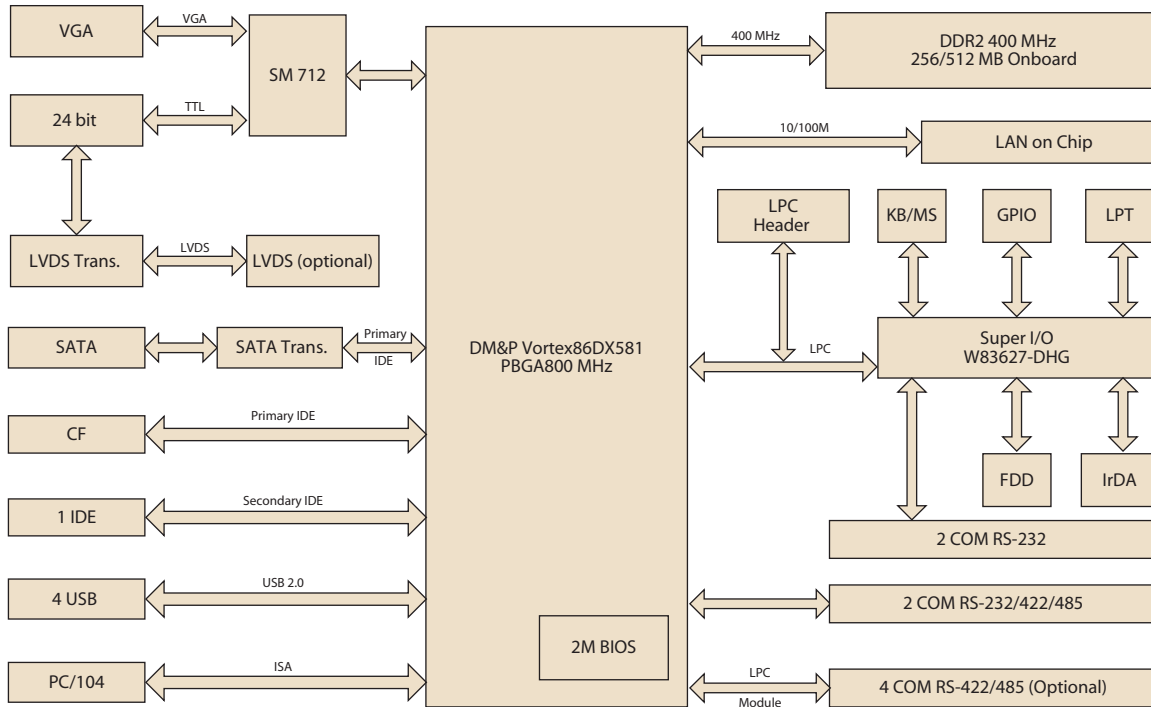




## Board Diagram



## Ordering Information

P/N	VAG	TTL	LVDS	SATA	COM	PC104	LPT	FDD	Onboard RAM
PCA-6743VE-Q0A1E	1	1	Optional	-	2 RS-232	-	1	1	256 MB
PCA-6743F-Q0A1E	1	1	Optional	1	2 RS-232 2 RS-232/422/485	1	1	1	512 MB

## Optional Accessories

Part Number	Description
PCA-COM485	4 x RS-422/485 COM module
1700003194	Serial ATA HDD data cable
1703150102	Serial ATA HDD power cable
MBPC-641BP-60E	4-slot chassis w/150W power supply
IPC-6806SB-15ZB	6-slot chassis w/150W power supply
1700014398	4-port USB cable kit (2.0 mm pitch)

## Packing List

Part Number	Description	Quantity
1700060202	Y cable for PS/2 keyboard, PS/2 mouse	x 1
1701400607	E-IDE (HDD) cable (2.54 mm 40P 600 mm)	x 1
1700014398	4-port USB cable kit (2.0 mm pitch)	x 1
1701340705	FDD cable (2.54 mm 700 mm) (For F SKU)	x 1
1701260305	COM2 (2.54 mm) + LPT (2.54 mm) cable (For F SKU)	x 1
1700008762	Dual-COM port cable kit for COM 3-4 (2.00 mm) (For F SKU)	x 1

## Bracket View



PCA-6743VE-Q0A1E  
PCA-6743F-Q0A1E



**Esis Pty Ltd**  
Ph 02 9481 7420  
Fax 02 9481 7267  
[www.esis.com.au](http://www.esis.com.au)