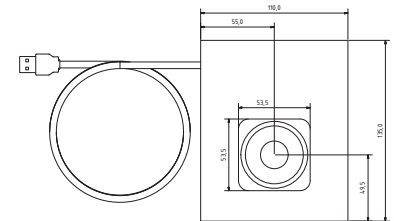
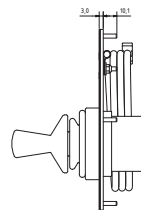
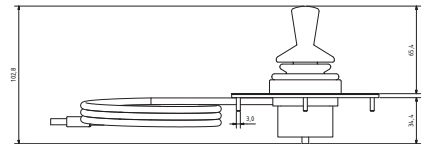


TKH-JSTb-MODUL



SPECIFICATION KEYBOARD

Number of keys: 2
 Keyswitch technology: short travel keys
 Actuation force: 2,6 N
 Actuation travel: 0,3 mm
 Durability: ca. 3 mil. operations
 Protection level (max): IP65, NEMA 4x (front side)
 Mounting type: front panel with mounting studs (rear side)
 Material (front panel): PCB, FR-4
 Interface: USB
 Operating temperatur: -40 °C bis +90 °C
 Weight: 280 g
 Cable length: ca. 2,0 m

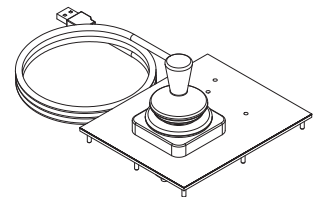


SPECIFICATION JOYSTICK

Stick length: 65,4 mm
 Actuation force: 2,25 N
 Operation angle: ± 18°

DIMENSIONS

Length: 135,0 mm
 Width: 110,0 mm
 Height: 37,4 mm
 Height with stick: 102,8 mm

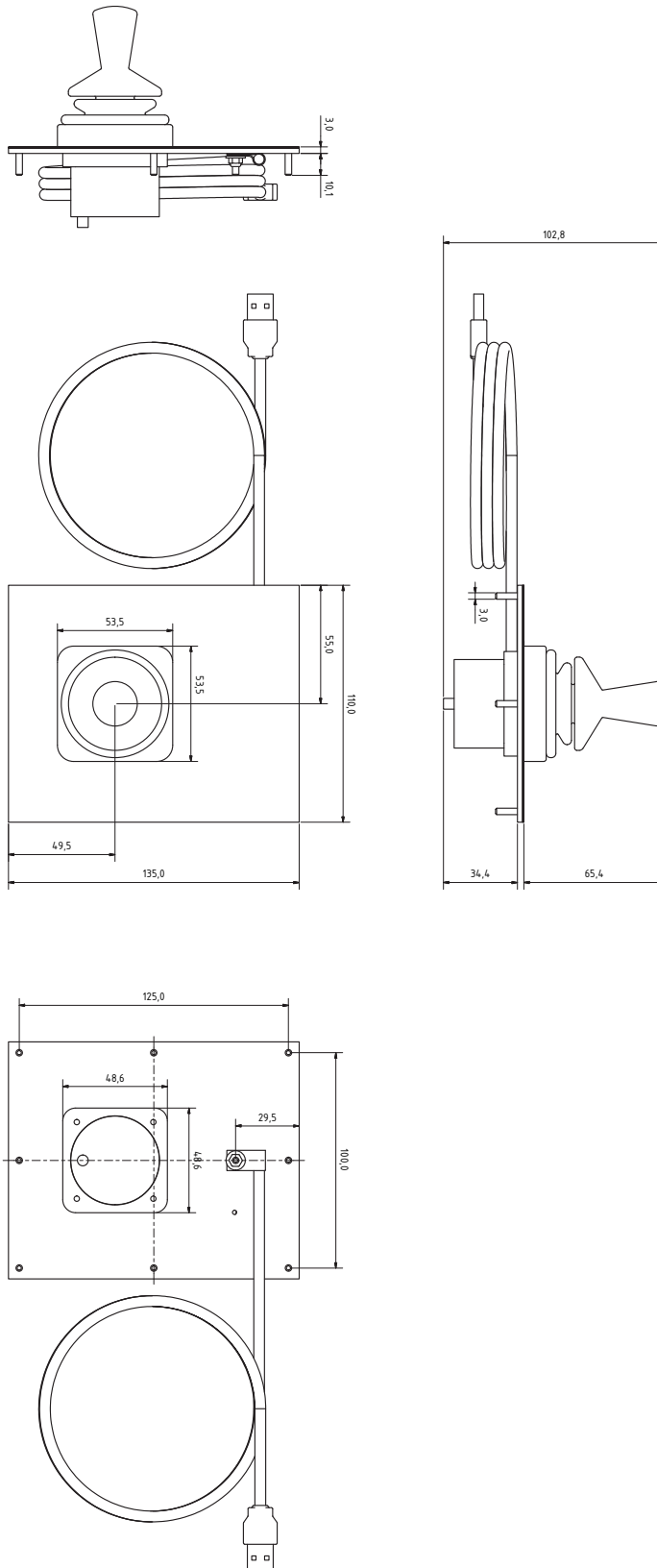


www.tkh.indukey.com

Ordering data:		Interface		Layout	
Cat.-No.	Product name	PS/2	USB	DE	US
KH16209	TKH-JSTb-MODUL-USB		•		

Errors and omissions exceptet

Dimens. Drawing: TKH-JSTb-MODUL



www.tkh.indukey.com

Errors and omissions exceptet