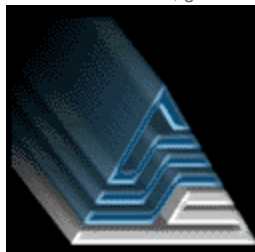


Top quality temperature measurement solutions for medical, HVAC, military, consumer electronics, and appliance applications. Thermistors, RTDs, glass-encapsulated probes and custom designed solutions. Superior design and service support.

- Interchangeable Series
- Point-Matched Series
- Glass Series
- Insulated Lead Series
- Medical Series
- Mini Series
- Micro Series
- Customer Configured Probe Series
- HVAC Thermistor Series
- HVAC RTD Series

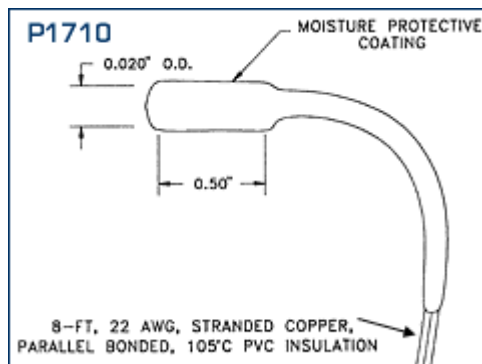


ALPHA SENSORS

P1710 Standard Sensor Moisture Protected

FEATURES

- ┆ Proprietary thermistor technology
- ┆ Wide operating temperature range
- ┆ Use where condensation can occur
- ┆ Moisture protected using a 4-stage process
- ┆ Red sensor tip
- ┆ Industry standard values
- ┆ Custom configurations
 - ┆ Lead length



DESCRIPTION

The Alpha P1710 Standard Sensor is a thermistor based moisture protected temperature sensor for use in HVAC control systems and building automation systems.

SPECIFICATIONS

Operating Range: -20° to 70°C (-4° to 158°F)
Accuracy: ±0.2°C (±0.36°F), 0° to 70°C
Drift: 0.02°C per year from 0° to 50°C (0.036°F per year from 32° to 122°F)

APPLICATION NOTES

0. Avoid use in enclosures where heat may be transferred by other components, causing inaccurate readings.
1. Solder or crimp all connections. Do not use wire nuts.
2. Follow local electrical codes.

LEAD

About Alpha

Products

Configured Thermistor

FAQ's

Application Notes

Technical Notes

What's New

HOME

P1710 Standard Sensor
Moisture Protected

PART #	DESCRIPTION	R/T CURVE	COLOR CODE	MATERIAL TYPE
P1711	2,252 Ohm @ 25°C	A	Green Leads	TYPE II
P1712	3,000 Ohm @ 25°C	A	Blue Leads	TYPE II
P1713	10,000 Ohm @ 25°C	A	Yellow Leads	TYPE II
P1714	100,000 Ohm @ 25°C	A	Gray Leads	TYPE II
P1715	10,000 Ohm @ 25°C	C	Gray Leads	TYPE III
P1716	20,000 Ohm @ 25°C	De	Black Leads	TYPE 42 (Honeywell)

* Consult the factory for custom sensors.

PRODUCT SELECTION

[P1700 - Standard Sensor](#)

[P1710 - Standard Sensor, Moisture Protected](#)

[P1720 - Strap On Sensor](#)

[P1730 - Duct Sensor](#)

[P1740 - Room Sensor, Surface Mount](#)

[P1750 - Outdoor Air Sensor](#)

[P1760 - Averaging Duct Sensor](#)

[P1770 - ImmersionSensor](#)

[Home](#) | [About Alpha](#) | [Contact Us](#) | [What's New](#) | [Products](#)
[Technical Notes](#) | [Configured Thermistor](#) | [FAQ](#) | [Application Notes](#)



© 1998 Alpha Sensors

	www.esis.com.au
	Ph 02 9481 7420 Fax 02 9481 7267 esis.enq@esis.com.au
Industrial Electronics	