

Top quality temperature measurement solutions for medical, HVAC, military, consumer electronics, and appliance applications. Thermistors, RTDs, glass-encapsulated probes and custom designed solutions. Superior design and service support.

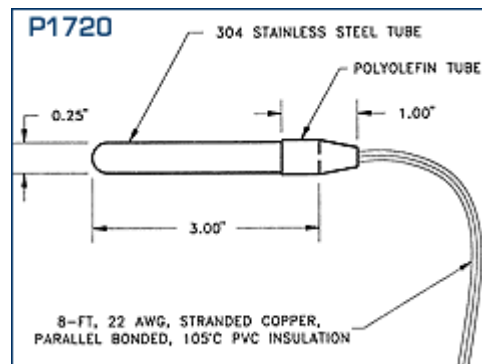
||
||
||
||
||
||
||
||
||
||
||


 P1720 Strap on

FEATURES

- | Proprietary thermistor technology
- | Wide operating temperature range
- | Use where condensation can occur
- | Moisture protected using a 4-stage process
- | Red sensor tip
- | Industry standard values
- | Custom configurations
 - | Lead length

||
||
||
||
||
||
||
||
||
||



DESCRIPTION

The Alpha P1720 Strap On Sensor is a thermistor based temperature sensor for use in refrigeration or as a strap on sensor for pipes where immersion wells are not practical.

SPECIFICATIONS

Operating Range: -20° to 100°C (-4° to 158°F)

Accuracy: ±0.2°C (±0.36°F), 0° to 70°C

Drift: 0.02°C per year from 0° to 50°C (0.036°F per year from 32° to 122°F)

APPLICATION NOTES

0. Mount using thermally conductive compound.
1. A strap on bracket is available.
2. Solder or crimp all connections. Do not use wire nuts.
3. Follow local electrical codes.

LEAD

PART #	DESCRIPTION	R/T CURVE	COLOR CODE	MATERIAL TYPE
P1721	2,252 Ohm @ 25°C	A	Green Leads	TYPE II
P1722	3,000 Ohm @ 25°C	A	Blue Leads	TYPE II
P1723	10,000 Ohm @ 25°C	A	Yellow Leads	TYPE II
P1724	100,000 Ohm @ 25°C	A	Gray Leads	TYPE II
P1725	10,000 Ohm @ 25°C	C	Gray Leads	TYPE III
P1726	20,000 Ohm @ 25°C	De	Black Leads	TYPE 42 (Honeywell)

* Consult the factory for custom sensors.

PRODUCT SELECTION

[P1700 - Standard Sensor](#)

[P1710 - Standard Sensor, Moisture Protected](#)

[P1720 - Strap On Sensor](#)

[P1730 - Duct Sensor](#)

[P1740 - Room Sensor, Surface Mount](#)

[P1750 - Outdoor Air Sensor](#)

[P1760 - Averaging Duct Sensor](#)

[P1770 - ImmersionSensor](#)

[Home](#) | [About Alpha](#) | [Contact Us](#) | [What's New](#) | [Products](#)
[Technical Notes](#) | [Configured Thermistor](#) | [FAQ](#) | [Application Notes](#)



© 1998 Alpha Sensors

	www.esis.com.au
	Ph 02 9481 7420 Fax 02 9481 7267 esis.enq@esis.com.au
Industrial Electronics	