

Top quality temperature measurement solutions for medical, HVAC, military, consumer electronics, and appliance applications. Thermistors, RTDs, glass-encapsulated probes and custom designed solutions. Superior design and service support.

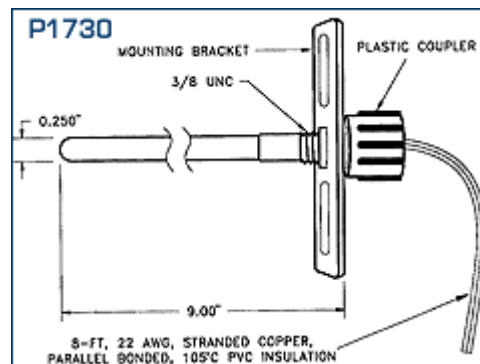
Interchangeable Series
Point-Matched Series
Glass Series
Insulated Lead Series
Medical Series
Mini Series
Micro Series
Customer Configured Probe Series
HVAC Thermistor Series
HVAC RTD Series



P1730 Duct Sensor

FEATURES

- | Stainless steel closed end tube
- | 3/8 inch UNC plastic coupler
- | Fits a standard 1/2" knockout in a handbox
- | Moisture protected
- | Proprietary thermistor technology
- | Industry standard values
- | Mounting bracket
- | Vinyl mounting grommet
- | Custom configurations available
 - | Lead length
 - | Housing length



DESCRIPTION

The Alpha P1730 Duct Sensor is a thermistor based temperature sensor designed to mount directly to a HVAC duct for precision temperature measurement.

SPECIFICATIONS

Operating Range: -20° to 70°C (-4° to 158°F)

Accuracy: ±0.2°C (±0.36°F), 0° to 70°C

Drift: 0.02°C per year from 0° to 50°C (0.036°F per year from 32° to 122°F)

APPLICATION NOTES

0. The sensor is point sensitive, mount in a well mixed air stream.
1. Solder or crimp all connections. Do not use wire nuts.

About Alpha

Contact Us

Products

Configured Thermistor

FAQ's

Application Notes

Technical Notes

What's New

HOME

P1730 Duct Sensor

2. Follow local electrical codes.

PART #	DESCRIPTION	R/T CURVE	LEAD COLOR CODE	MATERIAL TYPE
P1731	2,252 Ohm @ 25°C	A	Green Leads	TYPE II
P1732	3,000 Ohm @ 25°C	A	Blue Leads	TYPE II
P1733	10,000 Ohm @ 25°C	A	Yellow Leads	TYPE II
P1734	100,000 Ohm @ 25°C	A	Gray Leads	TYPE II
P1735	10,000 Ohm @ 25°C	C	Gray Leads	TYPE III
P1736	20,000 Ohm @ 25°C	De	Black Leads	TYPE 42 (Honeywell)

* Consult the factory for custom sensors.

PRODUCT SELECTION

[P1700 - Standard Sensor](#)

[P1710 - Standard Sensor, Moisture Protected](#)

[P1720 - Strap On Sensor](#)

[P1730 - Duct Sensor](#)

[P1740 - Room Sensor, Surface Mount](#)

[P1750 - Outdoor Air Sensor](#)

[P1760 - Averaging Duct Sensor](#)

[P1770 - ImmersionSensor](#)

[Home](#) | [About Alpha](#) | [Contact Us](#) | [What's New](#) | [Products](#)
[Technical Notes](#) | [Configured Thermistor](#) | [FAQ](#) | [Application Notes](#)



© 1998 Alpha Sensors

	www.esis.com.au
	Ph 02 9481 7420 Fax 02 9481 7267 esis.enq@esis.com.au
ESIS Industrial Electronics	