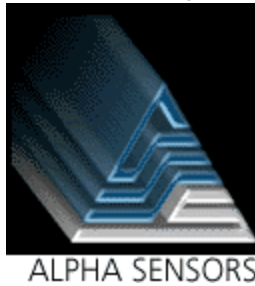


Top quality temperature measurement solutions for medical, HVAC, military, consumer electronics, and appliance applications. Thermistors, RTDs, glass-encapsulated probes and custom designed solutions. Superior design and service support.

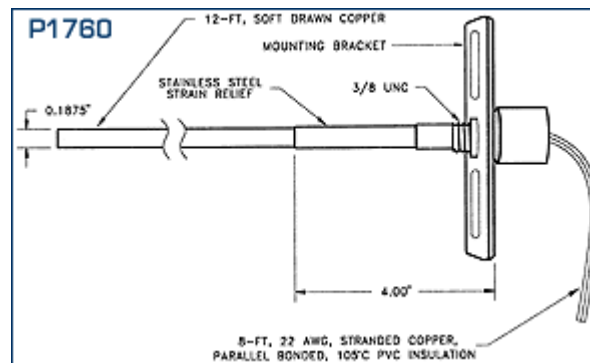
Interchangeable Series
Point-Matched Series
Glass Series
Insulated Lead Series
Medical Series
Mini Series
Micro Series
Customer Configured Probe Series
HVAC Thermistor Series
HVAC RTD Series



P1760 Average Duct Sensor

FEATURES

- ┆ Standard 2 wire hookup
- ┆ Four thermistors equally spaced in the standard 12 foot length.
- ┆ 3/16" copper tubing
- ┆ Mounting bracket
- ┆ Proprietary thermistor technology
- ┆ Custom configurations available
 - ┆ Lead length
 - ┆ Tube length
 - ┆ Number of elements



DESCRIPTION

The Alpha P1760 Duct Averaging Sensor is a thermistor based temperature sensor designed to average the temperature within a duct by providing multiple thermistors in a length of soft-drawn copper tubing.

SPECIFICATIONS

Operating Range: 0° to 100°C (32° to 158°F)
Accuracy: ±0.2°C (±0.36°F), 0° to 70°C
Drift: 0.02°C per year from 0° to 50°C (0.036°F per year from 32° to 122°F)

APPLICATION NOTES

0. Mount with a standard handibox.
1. Solder or crimp all connections. Do not use wire nuts.
2. Follow local electrical codes.

About Alpha

Contact Us

Products

Configured Thermistor

FAQ's

Application Notes

Technical Notes

What's New

HOME

P1760 Average Duct Sensor

PART #	DESCRIPTION	R/T CURVE	LEAD COLOR CODE	MATERIAL TYPE
P1761	2,252 Ohm @ 25°C	A	Green Leads	TYPE II
P1762	3,000 Ohm @ 25°C	A	Blue Leads	TYPE II
P1763	10,000 Ohm @ 25°C	A	Yellow Leads	TYPE II
P1764	100,000 Ohm @ 25°C	A	Gray Leads	TYPE II
P1765	10,000 Ohm @ 25°C	C	Gray Leads	TYPE III
P1766	20,000 Ohm @ 25°C	De	Black Leads	TYPE 42 (Honeywell)

* Consult the factory for custom sensors.

PRODUCT SELECTION

[P1700 - Standard Sensor](#)

[P1710 - Standard Sensor, Moisture Protected](#)

[P1720 - Strap On Sensor](#)

[P1730 - Duct Sensor](#)

[P1740 - Room Sensor, Surface Mount](#)

[P1750 - Outdoor Air Sensor](#)

[P1760 - Averaging Duct Sensor](#)

[P1770 - Immersion Sensor](#)

[Home](#) | [About Alpha](#) | [Contact Us](#) | [What's New](#) | [Products](#)
[Technical Notes](#) | [Configured Thermistor](#) | [FAQ](#) | [Application Notes](#)



© 1998 Alpha Sensors

	www.esis.com.au
	Ph 02 9481 7420 Fax 02 9481 7267 esis.enq@esis.com.au
Industrial Electronics	