



Nautilus 135

Single-Channel Temperature Data Logger (Max 135°C)

The high temperature capabilities of the Nautilus 135 make it the ideal logger for monitoring temperature in extreme environments or environments where conventional data loggers are not able to survive.

APPLICATIONS

Autoclave verification; ETO sterilization; kiln drying studies; medical & pharmaceutical studies; agricultural, ocean and pond studies; environmental studies; process monitoring; HVAC; well monitoring; and hostile environmental monitoring.

GENERAL SPECIFICATIONS

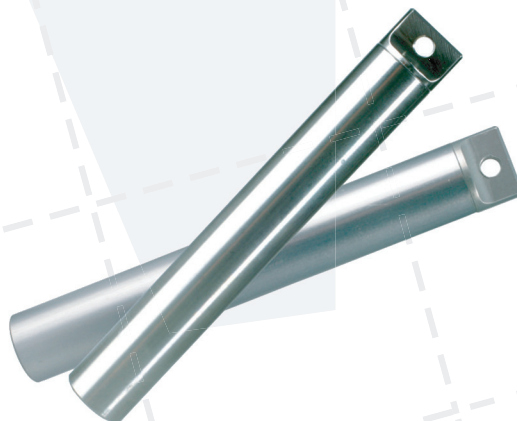
Size:	18mm x 127mm (0.71" x 5.00")
Weight:	Aluminum 51 g (1.8 oz); Stainless Steel 112 g (4 oz)
Case Material:	Anodized Aluminum or Stainless Steel
Battery:	3.6 volt Lithium, 0.95 Amp-Hour
Resolution:	8-bit (1 part in 256)
Mounting:	Locking hole on cap
Clock Accuracy:	± 2 seconds per day
Sampling Methods:	Continuous (First-in First-out), Stop When Full, Delay Start, or Spot & Average
Operating Limits:	10 to 135°C (50 to 275°F) and waterproof
PC Requirements:	Windows PC with at least one free USB or serial port (depending on interface)
Software Requirements:	TrendReader® 2 Express <i>or</i> TrendReader® 2 (Compatible with Windows XP, Vista, Windows 7 and Windows 8 [32 bit & 64 bit])
Memory Size:	32 KB (capable of storing up to 244,800 with data compression enabled)
Sampling Rates:	User selectable rates from 8 seconds to 34 minutes (readings stored to memory can be spot or averaged over the sample interval, except for the 8 second interval)
Number of Channels:	One (one channel for ambient temperature)

SENSOR SPECIFICATIONS

Temperature Sensor Type:	NTC Thermistor - 100,000 Ohms @ 25°C (77°F)
Range:	10°C to 135°C (50°F to 275°F)
System Accuracy:	10°C to 38°C (50°F to 100.4°F) better than ±2.3°C (4.14°F) 38°C to 121°C (101°F to 249°F) better than ±1.2°C (2.16°F) 121°C to 135°C (250°F to 275°F) better than ±1.5°C (2.7°F)

ORDERING INFORMATION

Item	Cat#:
NTL-102 (Aluminum)	01-0263
NTL-103 (Stainless Steel)	01-0264



www.esis.com.au
Ph 02 9481 7420
Fax 02 9481 7267
esis.enq@esis.com.au

ESIS
Industrial Electronics

acrsystems.com
ISO 9001 Certified
PECIFICATIONS\NAUTILUS135.pdf

