



Nautilus 85

Single-Channel Temperature Data Logger (Max 85°C)

The Nautilus 85 is a durable, robust data logger that can monitor temperature in a variety of applications but is particularly well suited for the food and beverage, biomedical, pharmaceutical, and industries with hostile or "wet" environments (i.e. wastewater treatment plant). Housed in a stainless steel or aluminum casing, it can withstand virtually any environment and with an operating pressure range of up to 2,000 PSI, it is ideal for monitoring temperature in any type of water including oceans, ponds, rivers, streams and wastewater.

APPLICATIONS

Record temperature of food products and other perishable goods; useful in the storage and transportation of food, the medical and pharmaceutical industries, agricultural, ocean and pond studies, environmental studies, process monitoring, and hostile environment monitoring.

GENERAL SPECIFICATIONS

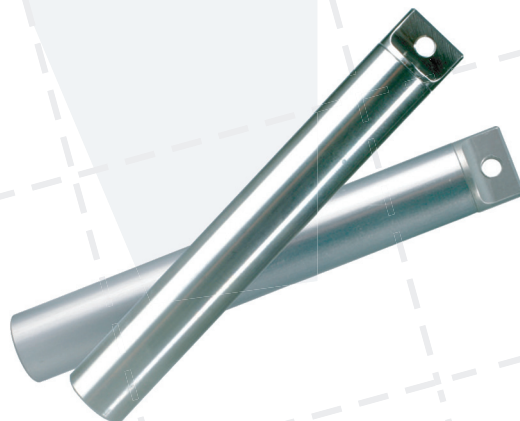
Size:	18mm x 127mm (0.71" x 5.00")
Weight:	Aluminum 51 g (1.8 oz); Stainless Steel 112 g (4 oz)
Case Material:	Anodized Aluminum or Stainless Steel
Battery:	3.6 volt Lithium, 0.95 Amp-Hour
Resolution:	8-bit (1 part in 256)
Mounting:	Locking hole on cap
Clock Accuracy:	± 2 seconds per day
Sampling Methods:	Continuous (First-in First-out), Stop When Full, Delay Start, or Spot & Average
Operating Limits:	-40°C to 85°C (-40°F to 185°F) and waterproof
Operating Pressure:	Up to 2,000 PSI
PC Requirements:	Windows PC with at least one free USB or serial port (depending on interface)
Software Requirements:	TrendReader® 2 Express <i>or</i> TrendReader® 2 (Compatible with Windows XP, Vista, Windows 7 and Windows 8 [32 bit & 64 bit])
Memory Size:	32 KB (capable of storing up to 244,800 readings with data compression enabled)
Sampling Rates:	User selectable rates from 8 seconds to 34 minutes (readings stored to memory can be spot or averaged over the sample interval, except for the 8 second interval)
Number of Channels:	One (one channel for ambient temperature)

SENSOR SPECIFICATIONS

Temperature Sensor Type:	NTC Thermistor - 10,000 Ohms @ 25°C (77°F)
Range:	-40°C to 85°C (-40°F to 185°F)
Accuracy:	±0.2°C over the range of 0°C to 70°C (± 0.3°F over the range of 32°F to 158°F)
Resolution:	0.4°C (0.7°F) @ 25°C; better than 1°C (1.8°F) between -25°C and 70°C (-13°F and 158°F); better than 2.0°C (3.6°F) between -40°C and -25°C (-40°F and -13°F)

ORDERING INFORMATION

Item	Cat#:
NTL-100 (Aluminum)	01-0261
NTL-101 (Stainless Steel)	01-0262



www.esis.com.au
 Ph 02 9481 7420
 Fax 02 9481 7267
 esis.enq@esis.com.au

acrsystems.com

ISO 9001 Certified

SPIFICATIONS\NAUTILUS85.pdf



Rev:7 - 10/24/12