



MOUSE-TRAK™ Professional Desk Top

Product Description



The ITAC Systems Professional Desk Top (PDT) trackball controller is a high duration use computer control and pointing device manufactured with superior materials to endure the long use environments and applications. Stainless steel shafts and bearings and ABS thermoplastic housing construction make this unit extremely durable. The PDT is tough enough to withstand the most difficult tasks, but is also designed to significantly reduce the effects of common repetitive stress injury (RSI) syndrome caused by wrist and elbow powered mouse devices. As much as a 60% improvement in RSI can be realized with use of the PDT. Integrated hand support virtually eliminates the threat of carpal tunnel injuries as well. PDT provides high speed, accurate and highly precise operation under the most challenging conditions.

Product Features

- No driver installations required. Uses native drivers from the OS
- ABS plastic housing
- Stainless steel shafts and bearings
- Precision cast phenolic resin ball
- Dual speed selector toggle for changing between Precision Pointing Mode and Speed Mode at the touch of a button
- Designed for office productivity and CAD
- Key functions selectable such as Right hand/Left hand, Double click and Click/ Drag operations
- 60% less tiring than traditional mouse
- Made to withstand heavy usage
- Neutral light grey color

Market Applications

- Commercial Marine
- Medical
- Government & Military
- Geospatial
- Automotive
- Aeronautics
- Energy Distribution & Production
- Communications & Call Centers

Model	B-5XUSB-XROHS	B-SCRPR-XROHS	B-5XXMP-XROHS	B-5XX9P-XROHS	B-SUNMD-XROHS
Interface	USB	USB	PS2/MOUSEPORT	9 PIN SERIAL	SUN



ESIS
Industrial Electronics

www.esis.com.au
Ph 02 9481 7420
Fax 02 9481 7267
esis.enq@esis.com.au



MOUSE-TRAK™ Professional Desk Top

Product Details:



Unit Exterior

Case is textured ABS plastic

Outer casing is UL 94HB Flame Class Rated (3)

Trackball is cast phenolic resin

Hand rest pad is Grade 5800 flexible PVC

Unit Interior

Shafts and ball bearings are 440 Hardened Stainless Steel RC 50-55

Entirely RoHS Compliant

Conformal coated PCB resistant to liquids, moisture and dust.

Switches rated at 1,000,000 minimum actuations





MOUSE-TRAK™ Professional Desk Top

Product Specifications:

Functional	
Resolution	192 counts per full Revolution
Input Switches	4
Buttons	Left Key
	Right Key
	Middle Key
	Speed Toggle/*Scroll Toggle (*On Scrolling Model)
Available Interfaces	USB, PS/2 Mouseport 9 Pin Serial, SUN
OS Compatibility	Windows 98, 2000, 2003, XP, 7 Linux supporting USB Devices MacOS ver 8 and above
Cable Length	96 inches (2.4 meters)
Power Consumption	(TBD)

Mechanical	
Dimensions	Length: 7.93 inches (201.5mm) Width: 4.20 inches (106.7mm) Height: 2.30 inches (58.4mm)
Weight	17.5 oz (496 grams)
Body Material	ABS Plastic
Ball Material	Cast Phenolic Resin
Ball Hardness	Rockwell H85
Ball Load	25 lbs (11.3 Kilograms)
Handpad	3.5" x 2.5" flexible PVC
Ball Speed	Operator controlled

Environmental	
Operating Temp	-25°C to +65°C Minimum
Storage Temp	-25°C to +85°C Minimum
Humidity	45% to 85% (5° to 35°C)

Compliance	
1	RoHS
2	FCC Part 15
3	EU DoC

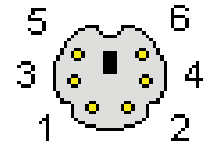
Options/Accessories	
Dust Ring	User installed for harsh environment applications

INTERFACE	MODEL NUMBER	FEATURES
USB	B-5XUSB-XROHS	Reference
USB	B-SCRPR-XROHS	Scrolling
PS/2, MOUSEPORT	B-5XXMP-XROHS	Assignable Buttons
9 PIN SERIAL	B-5XX9P-XROHS	Assignable Buttons
SUN	B-SUNMD-XROHS	Assignable Buttons

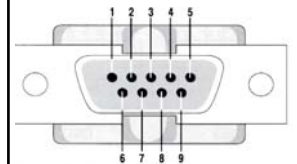
Interface	USB
Connector	4-pin USB A
Pin Assignments	Pin 1 = +5 VDC Pin 2 = Data - Pin 3 = Data + Pin 4 = Ground



Interface	PS/2 Mouseport
Connector	6-pin Mini-Din Male
Pin Assignments	Pin 1 = PS/2 Data (DAT) Pin 2 = No Connect Pin 3 = Signal Ground (GND) Pin 4 = +5V DC Pin 5 = PS/2 Clock (CLK) Pin 6 = No Connect



Interface	9 Pin Serial
Connector	9-pin Mini-Din Male
Pin Assignments	Pin 1 = Data Carrier Detect Pin 2 = Receiving Data Pin 3 = Transmitted Data Pin 4 = Data Terminal Ready Pin 5 = Signal Ground Pin 6 = Data Set Ready Pin 7 = Request to Send Pin 8 = Clear to Send Pin 9 = Ring Indicator



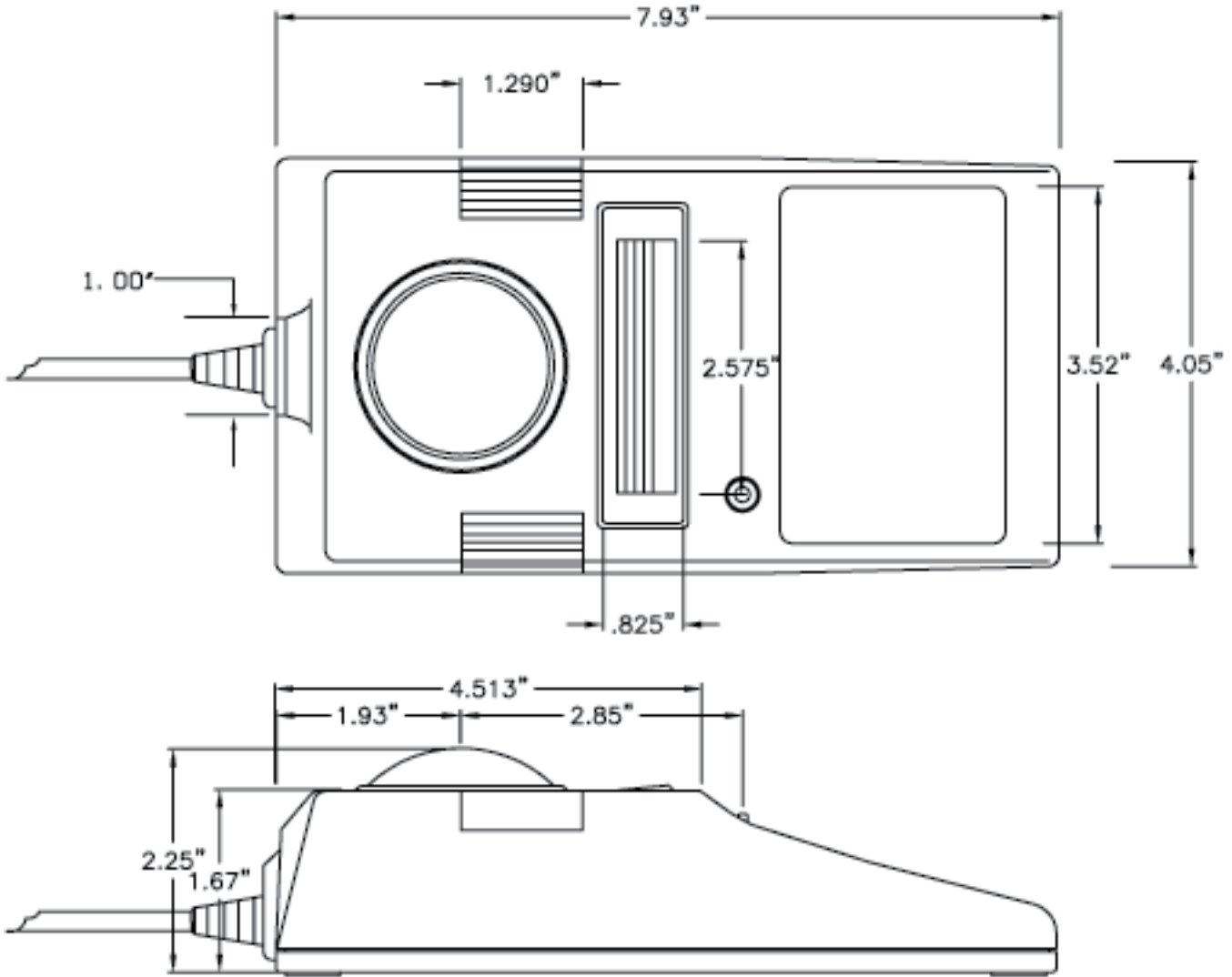
Interface	SUN
Connector	8-pin Mini-Din Male
Pin Assignments	Pin 1 = Ground Pin 2 = Ground Pin 3 = +5 Pin 4 = Mouse Pin 5 = Keyboard Receive Pin 6 = Keyboard Transmit Pin 7 = PWRN Pin 8 = +5





MOUSE-TRAK™ Professional Desk Top

Drawings and Diagrams:



	www.esis.com.au
	Ph 02 9481 7420 Fax 02 9481 7267 esis.enq@esis.com.au
Industrial Electronics	