

TKH-TB38b-MODUL

- Industrial trackball panel module for environment
- Integrated 38-mm trackball
- Resistant to dirt, dust and liquid (IP65)
- PS/2 or USB interface available

Specification

Keyswitch technology: gold plated domes
 Protection level (max): IP65 (front)
 Interfaces: PS/2; USB
 Operating force: 3.0 N
 Switch travel: 0.6 mm
 Switching cycles: 1 mill. (per key)
 Number of keys: 2
 Mounting type: front panel with threaded bolts
 Front panel material: FR4 (Epoxyd glass resin)
 Dimensions: 135 x 110 x 28 mm
 Dimension with trackball: 135 x 110 x 38 mm
 Operating temperature: 0 °C to +70 °C
 Storage temperature: 0 °C to +80 °C
 Weight: 260 g

Specification trackball

Operating principle: mechanical
 Activation force: 50 g
 Lifetime: 2 mill.

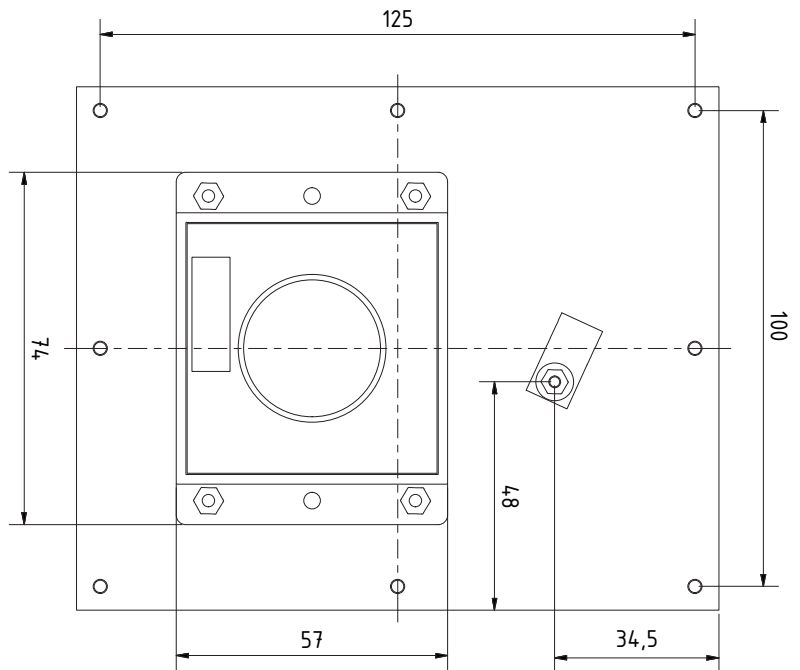
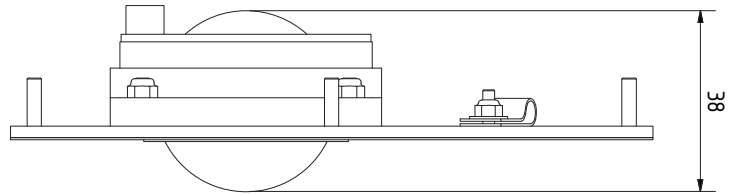
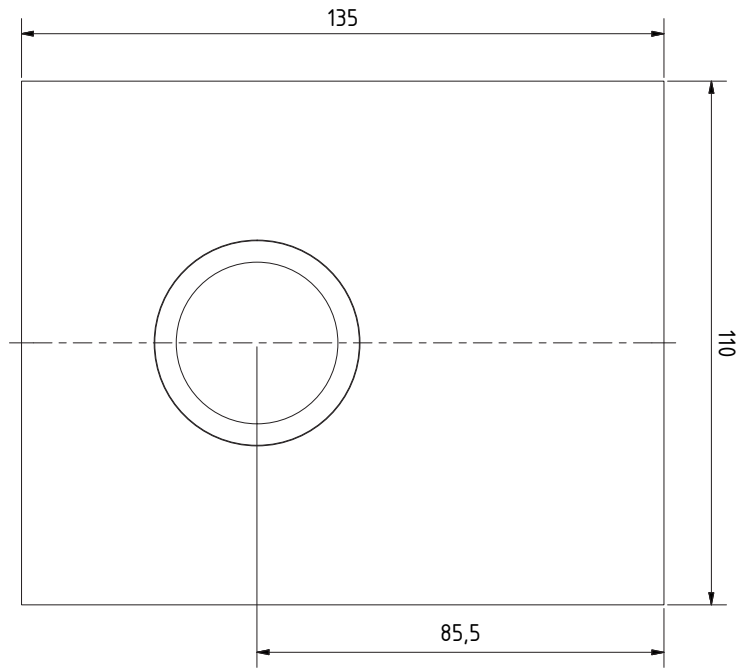
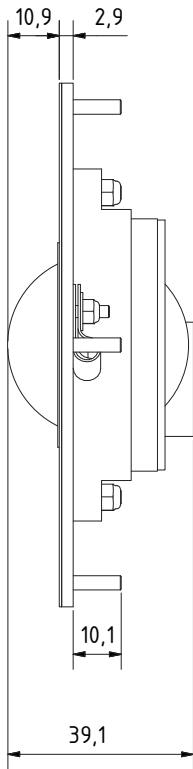
Cat.No.	Product description	Protection level	Dimensions (mm)
KH02005	TKH-TB38b-MODUL-PS/2	IP65 (stat); IP54 (dyn)	135 x 110 x 28
KH02006	TKH-TB38b-MODUL-USB	IP65 (stat); IP54 (dyn)	135 x 110 x 28

Other language versions / interfaces / configurations available on request.

www.tkh.indukey.com

www.esis.com.au
 Ph 02 9481 7420
 Fax 02 9481 7267
 esis.enq@esis.com.au

TKH-TB38b-MODUL



ESIS
Industrial Electronics

www.esis.com.au
Ph 02 9481 7420
Fax 02 9481 7267
esis.enq@esis.com.au

Version 012011

Errors and omissions exceptet

www.tkh.indukey.com