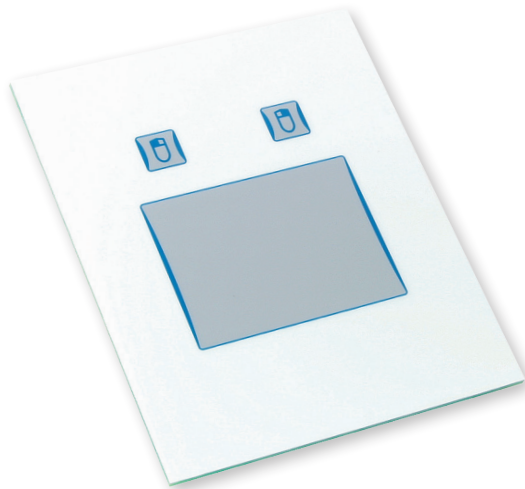


TKH-TOUCHb-MODUL



TKH-TOUCHb-MODUL

- Industrial touchpad panel module for environment
- Integrated capacitive touchpad
- Resistant to dirt, dust and liquid (IP65)
- PS/2 or USB interface available

Specification

Keyswitch technology: gold plated domes
 Protection level (max): IP65 (front)
 Interfaces: PS/2; USB
 Operating force: 3.0 N
 Switch travel: 0.6 mm
 Switching cycles: 1 mill. (per key)
 Number of keys: 2
 Mounting type: front panel with threaded bolts
 Front panel material: FR4 (Epoxyd glass resin)
 Dimensions: 135 x 110 x 12.5 mm
 Operating temperature: 0 °C to +70 °C
 Storage temperature: 0 °C to +80 °C
 Weight: 150 g

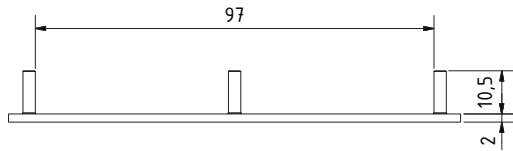
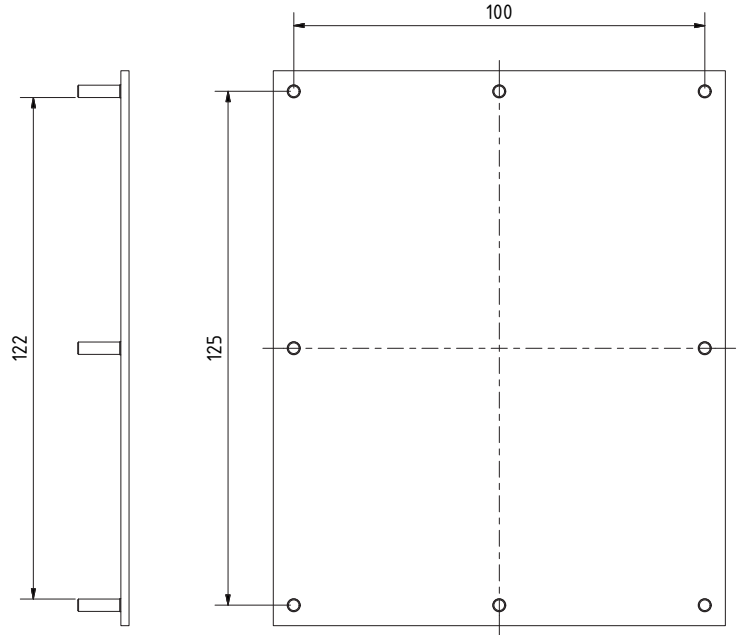
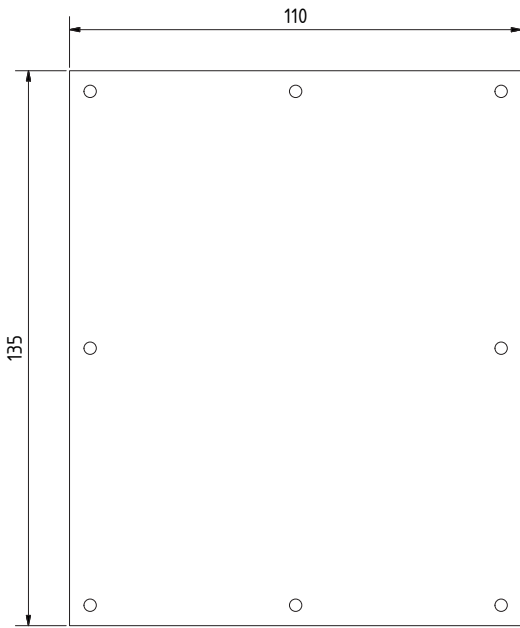
Specification touchpad

Operating principle: capacitive
 Resolution: 100-300 dpi
 Active area: (, k' % `

Kat.Nr. / Cat.No.	Produktbezeichnung / Product description	Schutzgrad / Protection level	Abmessungen / Dimensions (mm)
KH02009	TKH-TOUCHb-MODUL-PS/2	IP65	135 x 110 x 12,5
KH02010	TKH-TOUCHb-MODUL-USB	IP65	135 x 110 x 12,5

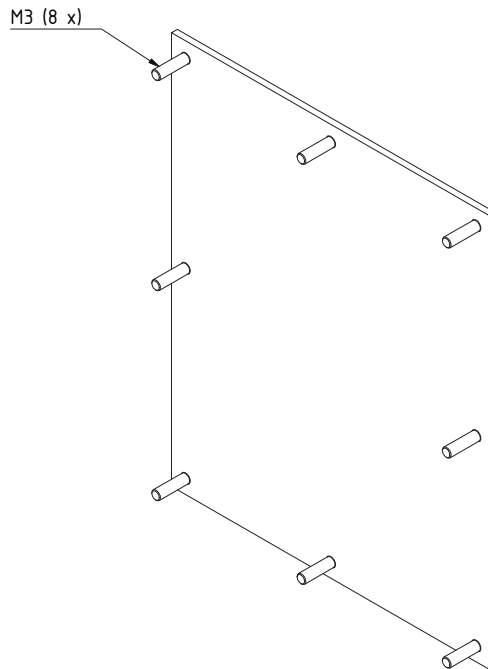
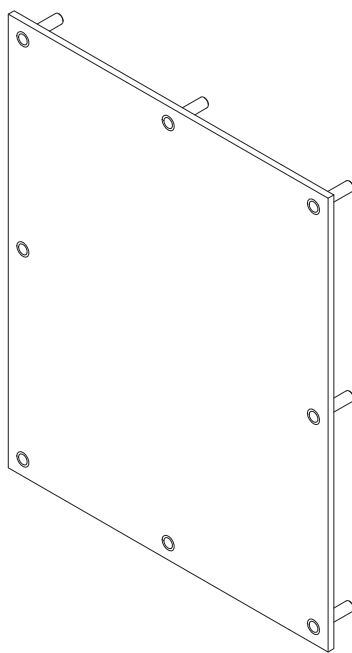
Other language versions / interfaces / configurations available on request.

TKH-TOUCHb-MODUL



ESIS
Industrial Electronics
www.esis.com.au
Ph 02 9481 7420
Fax 02 9481 7267
esis.enq@esis.com.au

www.tkh.indukey.com



Version 012011

Errors and omissions exceptet