

# HIGH PERFORMANCE CLAMP-ON CURRENT TRANSFORMER 150A EZ Clamp



DENT's affordable and compact 150A EZ Clamp current transformers are the one-handed operating solution for temporary or long-term studies. They are designed to work in tight places and clamp around cables or buss bars.

DENT's energy monitoring components are used for a variety of applications, including building automation, tenant submetering, performance verification, energy management and new technology assessment.



## KEY SPECIFICATIONS

Window Size	1" (25 mm)
Current Range	.5 to 300A AC
Output	333 mV @ 150 A AC 2.22 mV/A AC
Accuracy	<1% From .5– 300 A AC
Phase Shift	<1° From 5-25 A AC 1° From 25-150 A AC <1.5° from 150-300 A AC

## ELECTRICAL

Max Output	666 mV @ 300 A
Wire Polarity	Red = High, positive (+) Black = Low, negative (-)
Phasing	Label on Case Points
Orientation	Toward Source
Frequency Range	50 Hz to 400 Hz

## MECHANICAL

Case Material	White ABS, UL 94 V-0
Leads	8' (2.4M), 22 gage, 600V
Working Temperature	-25° to 70 °C (-13° to 158 °F)

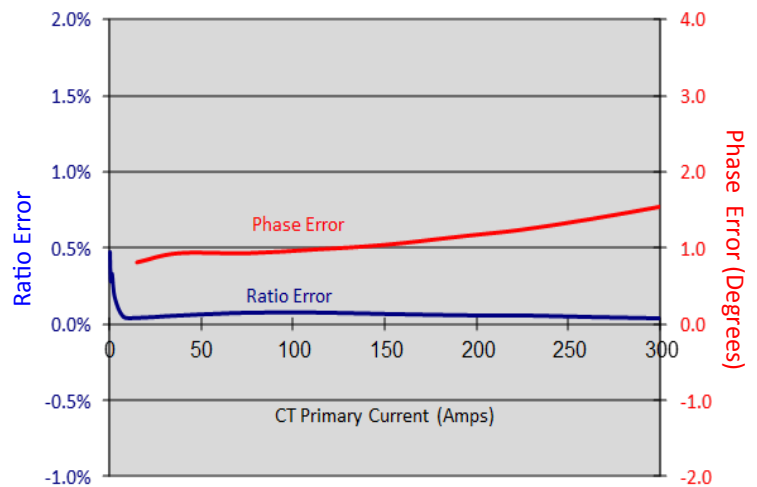
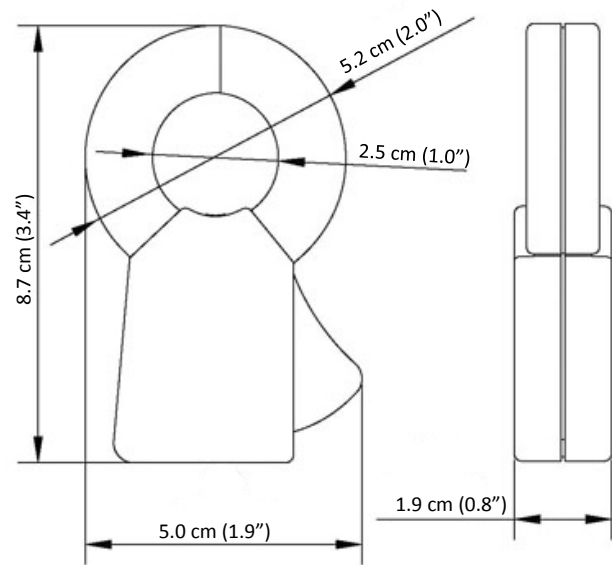
## SAFETY

Working Voltage	600 VAC Category III
Dielectric Strength	5200 VAC, 50/60 Hz for one minute

Certifications	 Conforms to: UL STD 61010-1  Certified to: CAN/CSA STD C22.2 No. 61010-1
----------------	--

## PART NUMBERS

CT-CON-0150EZ-U	Crimp ferrules on leads
CT-CON-0150EZ-B	With Banana Plugs (for use with Legacy Weather-tight PRO-Series Instruments)



## CONTACT US

DENT Instru  
Energy & Power I



**www.esis.com.au**  
 Ph 02 9481 7420  
 Fax 02 9481 7267  
 esis.enq@esis.com.au

**Industrial Electronics**