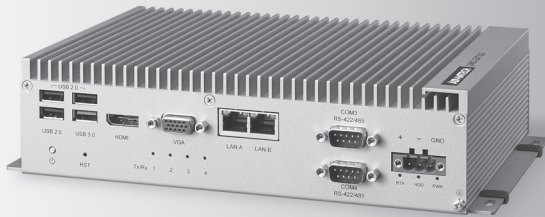


UNO-2473G

Intel® Atom™/Celeron® J1900 Processor Regular-Size Automation Computer w/ 4 x GbE, 3 x mPCIe, HDMI/VGA

NEW



Introduction

Advantech's UNO-2000 series of Embedded Automation Computers are fanless, with a highly ruggedized embedded operating system (Linux-Embedded). The series also includes iDoor technology which supports automation feature extensions such as industry fieldbus communication, Wi-Fi/3G, Digital I/O, including palm, small, and regular-size form-factors with indicated market segments in terms of entry, value and performance product positioning. Both entry and value Embedded Automation Computers feature specific functions and they are suitable for data gateway, concentrator and data server applications. The performance model can shorten your development time and offer multiple networking interfaces to fulfill a diverse range of requirements.

Specifications

General

- **Certification** CE, FCC, UL, CCC, BSMI
- **Dimensions (W x D x H)** 252 x 149 x 62 mm (9.9" x 5.9" x 2.4")
- **Form Factor** Regular Size
- **Enclosure** Aluminum Housing
- **Mounting** Stand, Wall, VESA (Optional), Din-rail (Optional)
- **Weight (Net)** 1.6kg (3.5lbs)
- **Power Requirements** 24Vdc ± 20%
- **Power Consumption** 28W (Typical), 48W (Max) / 10W (Typical), 14W(Max)
- **OS Support** Microsoft® Windows 7/8

System Hardware

- **BIOS** AMI UEFI 128Mbit Flash BIOS
- **Watchdog Timer** Programmable 256 levels timer interval, from 1 to 255 sec
- **Processor** Intel® Atom™ Processor E3845 1.91 GHz Quad Core, 2MB L2
Intel® Celeron™ Processor J1900 2.42 GHz Quad Core, 2MB L2
Intel Atom™/Celeron J1900 Processor SoC integrated
On-board 4GB DDR3L 1600 MHz / 4GB DDR3L 1333 MHz
- **System Chip** Intel® HD Graphics: Gen7 with 4EU
- **Memory** Intel® i210-IT GbE, 802.1Qav, IEEE1588/802.1AS, 802.3az
- **Graphics Engine** LEDs for Power, battery, LAN (Active, Status), Tx/Rx (UNO-2473G-E3AE only) and HDD
- **Ethernet** One mSATA
- **LED Indicators** One drive bay for SATA 2.5" HDD
- **Storage** CFast drive by iDoor Technology (Optional)
- **Expansion** 3 x Full-size mPCIe slot, mPCIe 2.0 for UNO-2473G-E3AE
1 x Full-size mPCIe slot, mPCIe 2.0 for UNO-2473G-J3AE

I/O Interfaces

- **Serial Ports** 2 x RS-232, DB9, 50 ~ 115.2kbps, 2 x RS-422/485, DB9, auto flow control, 50 ~ 115.2kbps(E3AE)
2 x RS-232, DB9, 50 ~ 115.2kbps, 2 x 232/422/485, DB9, auto flow control, 50 ~ 115.2kbps (J3AE)
- **LAN Ports** 4/2 x RJ45, 10/100/1000 Mbps IEEE 802.3u 1000Base-T Fast Ethernet
- **USB Ports** 4 x USB Ports (3 x USB 2.0, 1 x USB 3.0 compliant) for UNO-2473G-E3AE
5 x USB Ports (4 x USB 2.0, 1 x USB 3.0 compliant) for UNO-2473G-J3AE
- **Displays** 1 x VGA, supports 2560 x 1600 at 60Hz
1 x HDMI, supports 1920 x 1080 at 60Hz
eDP is supported on a project basis
Line-In
- **Audio** 1 x 3 Pins, Terminal Block
- **Power Connector** Chassis Grounding
- **Grounding Protection**

Features

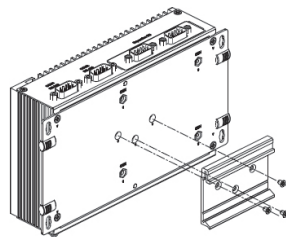
- 4th Generation Intel® Atom™/Celeron® J1900 Processor up to 1.91/2.42 GHz with 4GB DDR3L Memory
- 4/2 x GbE, 3 x USB 2.0 and 1 x USB 3.0/4 x USB 2.0 and 1 x USB 3.0, 2 x RS-232, 2 x RS-422/485 (E3AE), 2 x RS-232/422/485 (J3AE), 1 x VGA, 1 x HDMI, Audio
- Comprehensive Palm, Small, Regular-size form-factor
- Compact with Fanless Design
- Rubber Stopper Design with Captive Screw
- Diverse system I/O and Isolated Digital I/O by iDoor Technology
- 3G/GPS/GPRS/Wi-Fi Communication by iDoor Technology
- Supports MRAM by iDoor Technology
- Chassis Grounding Protection
- LAN Redundancy (Teaming)
- Fault-Protected RS-485 Transceivers With Extended Common-Mode Range

Environment

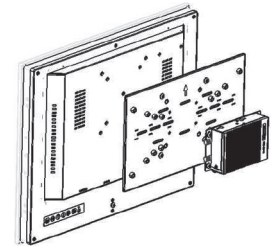
- **Operating Temperature** UNO-2473G-E3AE: -20 ~ 60°C (-4 ~ 140°F) @ 5 ~ 85% RH with 0.7m/s airflow
UNO-2473G-J3AE: -10 ~ 60°C (14 ~ 140°F) @ 5 ~ 85% RH with 0.7m/s airflow
- **Storage Temperature** -40 ~ 85°C (-40 ~ 185°F)
- **Relative Humidity** 10 ~ 95% RH @ 40°C, non-condensing
- **Shock Protection** Operating, IEC 60068-2-27, 50G, half sine, 11ms
- **Vibration Protection** Operating, IEC 60068-2-64, 2Grms, random, 5 ~ 500Hz, 1hr/axis (mSATA)
Operating, IEC 60068-2-64, 0.7Grms, random, 5 ~ 500Hz, 1hr/axis (HDD)
- **Ingress Protection** IP40

Installation Scenario

DIN-rail Mount Illustration



VESA Mount Illustration



www.esis.com.au

Ph 02 9481 7420

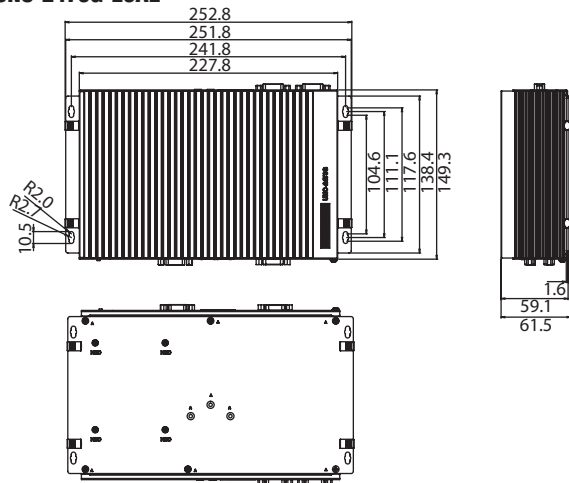
Fax 02 9481 7267

esis.enq@esis.com.au

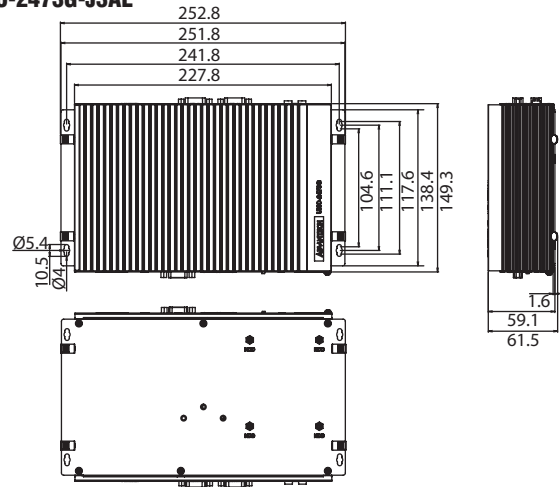
Unit: mm

Dimensions

UNO-2473G-E3AE

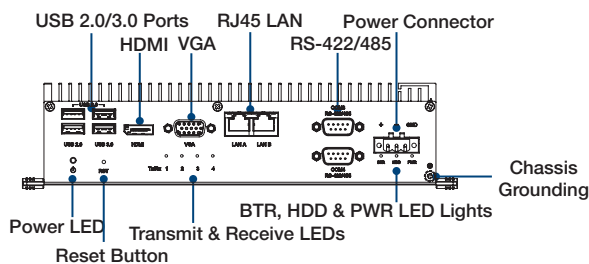


UNO-2473G-J3AE



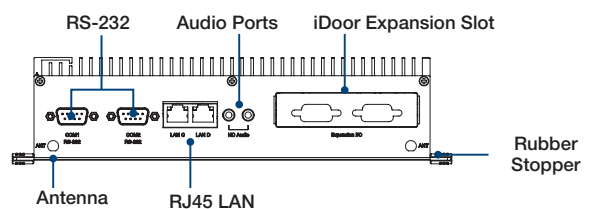
Front I/O View

UNO-2473G-E3AE

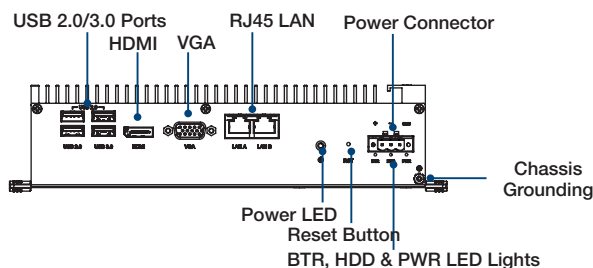


Rear I/O View

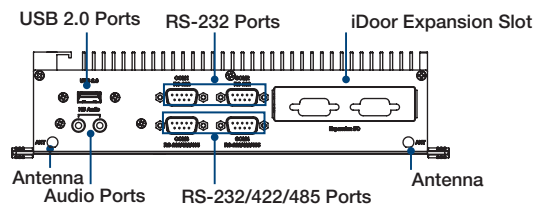
UNO-2473G-E3AE



UNO-2473G-J3AE



UNO-2473G-J3AE



Ordering Information

- UNO-2473G-E3AE Intel® Atom™ E3845 1.91GHz, 4GB, 4 x LANs, 3 x mPCIe
- UNO-2473G-J3AE Intel® Celeron J1900 2.42GHz, 4GB, 2 x LANs, 1 x mPCIe

iDoor Modules

- PCM-24D4R2-AE 4-Port Non-Isolated RS-232 mPCIe, DB37
- PCM-24D4R4-AE 4-Port Non-Isolated RS-422/485 mPCIe, DB37
- PCM-26D2CA-AE 2-Port Isolated CANBus mPCIe, CANopen, DB9
- PCM-27D24DI-AE 24-Channel Isolated Digital I/O w/ counter mPCIe, DB37
- PCM-2300MR-AE MR4A16B, MRAM, 2 MByte, mPCIe
- PCM-24S2WF-AE Wi-Fi 802.11 a/b/g/n 2T2R w/ Bluetooth4.0, Half-size mPCIe, 2-port SMA
- PCM-24U2U3-AE 2-Port USB 3.0, mPCIe, USB-A type
- PCM-24R2GL-AE 2-Port Gigabit Ethernet, mPCIe, RJ45
- PCM-24S23G-AE Wide-Temp 3.75G HSPA and GPS, 2-in-1, Full-size mPCIe w/ Redundant SIM Card holder, 2-port SMA

Optional Accessories

- 96PSA-A60W24T2 ADP A/D 100-240V 60W 24V C14 Cord End Terminal
- 1702002600 Power Cable US Plug 1.8 M (Industrial Grade)
- 1702002605 Power Cable EU Plug 1.8 M (Industrial Grade)
- 1702031801 Power Cable UK Plug 1.8 M (Industrial Grade)
- 1700000596 Power Cable China/Australia Plug 1.8 M (Industrial Grade)
- 1700001524 Power Cable 3-pin US type 1.8 M (Commercial Grade)
- 170203183C Power Cable 3-pin EU type 1.8 M (Commercial Grade)
- 170203180A Power Cable 3-pin UK type 1.8 M (Commercial Grade)
- UNO-2000G-DMKAE UNO-2000 DIN Rail Kit
- UNO-2000G-VMKAE UNO-2000 VESA Mount Kit

Embedded O/S

- 2070013268 Image WES7P X64 MUI. V4.12 B001 for UNO-2473G-Ex

S/W Bundle Offering

- WA-HU2473G-J15H2AE UNO-2473G-J3AE, HMI Runtime 1500 tags, 32G mSATA, WES7P
- WA-SU2473G-J15H5AE UNO-2473G-J3AE, SCADA Runtime 1500 tags, 128G SSD, WES7P