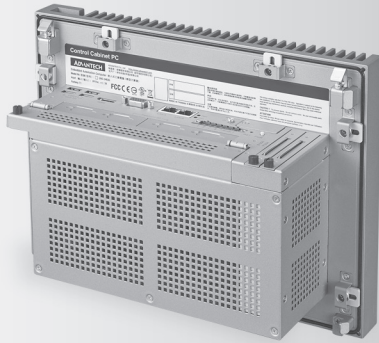


UNO-3483G

Intel® Core™ i7 Control Cabinet PC w/ 2 x GbE, 2 x mPCIe, HDMI/VGA

NEW



Features

- 3rd Generation Intel® Quad Core Processors, up to 2.1 GHz with 8GB DDR3L Memory
- 2 x GbE, 2 x USB 2.0, 2 x USB 3.0, 1 x RS-232, 1 x RS-422/485 (pin header), 1 x VGA, 1 x HDMI
- 1 x PCIe4, 3 x mPCIe (2 x full, 1 x half), 1 x mSATA slot
- Space-saving Compact with Fanless Design
- Thumb screw to easy maintenance
- Hot-Swappable HDD/SSD support for RAID 0/1
- High protection IP67 certification
- Convenient "Place & Click"
- Easily exchangeable RTC battery
- Supports Fieldbus Protocol by iDoor Technology
- 3G/GPS/GPRS/Wi-Fi Communication by iDoor Technology
- Supports MRAM by iDoor Technology
- Chassis Grounding Protection
- LAN Redundancy (Teaming)

Introduction

Advantech's UNO-3483G Control Cabinet PC is configured with high-performance Intel Core i7 processors and QM77 PCH, which supports two displays, four USB ports, two mPCIe sockets, and up to three expansion slots. It also includes iDoor technology which supports automation feature extensions such as industry Fieldbus communication, Wi-Fi/3G, Digital I/O. The UNO-3483G has a compact heat sink with integrated seals mounted on the outside of the cabinet through a corresponding cutout, has a placing-and-click feature considers users' activities and then simplifies the installation procedure for space-saving and high protection using IP67 certification. The high performing UNO-3483G model offers user the maximum flexibility when selecting the control cabinet and remains independent of the number and form of control buttons and switches on the front panel.

Specifications

General

- **Certification** CE, FCC, UL, BSMI
- **Dimensions (W x D x H)** 305 x 82 x 225 mm (12" x 3.2" x 8.9")
- **Form Factor** Regular Size
- **Enclosure** Aluminum Housing
- **Mounting** Enclosure mounting
- **Weight (Net)** 4.9kg (10.8lbs)
- **Power Requirements** 12V/24V_{DC} ± 20%
- **Power Consumption** 50W (Typical)
- **OS Support** WIN7/8, WES7, WES-2009, Linux

System Hardware

- **BIOS** AMI UEFI 128Mbit Flash BIOS
- **Watchdog Timer** Programmable 256 levels timer interval, from 1 to 255 sec
- **Processor** Intel® Core™ i7-3612QE QC 2.1GHz Ivy Bridge Quad Core, 6MB L2
- **System Chip** Integrated Intel 8 Series Chipset
- **Memory** On-board 8GB DDR3L 1333 MHz
- **Graphics Engine** Intel® HD Graphics 4000
- **Ethernet** LAN A: Intel® 82579LM GbE, Intel® AMT, IEEE802.1AS, 802.3az
LAN B: Intel® 82583V GbE, IEEE802.1AS, 802.3az
- **LED Indicators** LEDs for Power, LAN (Active, Status), Tx/Rx and HDD
- **Storage** One mSATA slot
Two built-in 2.5" SATA HDD brackets with support for RAID 0/1. (Compatible with 9.5mm height HDD)
- **Expansion** 1 x PCIe4, 2 x Full-size mPCIe, 1 x half-size mPCIe

I/O Interfaces

- **Serial Ports** 1 x RS-232, DB9, 50~115.2kbps (pin header)
1 x RS-422/485, DB9, auto flow control, 50~115.2kbps (pin header)
- **LAN Ports** 2 x RJ45, 10/100/1000 Mbps IEEE 802.3u 1000Base-T Fast Ethernet

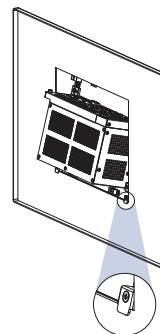
- **USB Ports** 4 x USB Ports (2 x USB 2.0, 2 x USB 3.0 compliant)
- **Displays** 1 x VGA, supports 1920 x 1200 @ 60Hz 24bpp
1 x HDMI 1.4a, supports 3200 x 2000 @ 60Hz 24bpp
Mic-in, Line-In, Line-Out (Pin Header)
- **Audio**
- **Power Connector** 1 x 7 Pin, Terminal Block to support dual power input and remote power control

Environment

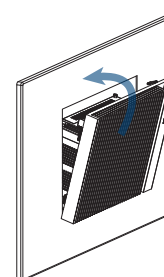
- **Operating Temperature** - 20 ~ 60°C (-4 ~ 140°F) @ 5 ~ 85% RH with 0.7m/s airflow (Industry SSD)
- 40 ~ 85°C (-40 ~ 185°F)
- **Storage Temperature** - 40 ~ 85°C (-40 ~ 185°F)
- **Relative Humidity** 10 ~ 95% RH @ 40°C, non-condensing
- **Shock Protection** Operating, IEC 60068-2-27, 50G, half sine, 11ms
- **Vibration Protection** Operating, IEC 60068-2-64, 2Grms, random, 5 ~ 500Hz, 1hr/axis (mSATA)
- **Ingress Protection** Integrated seals maintain with IP67 design

Installation Scenario

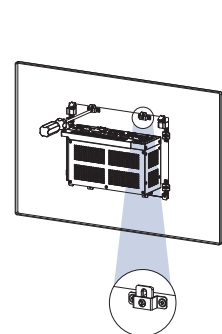
STEP 1



STEP 2

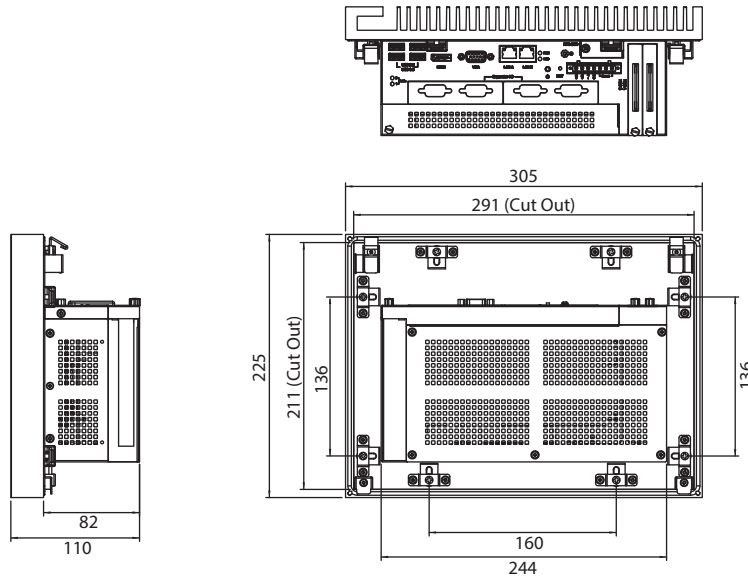


STEP 3

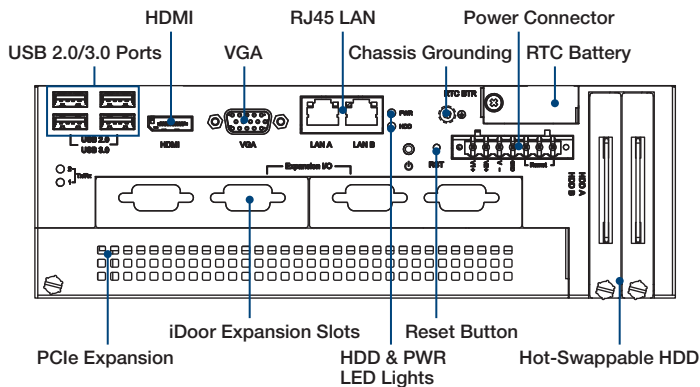


Dimensions

Unit: mm



I/O View



iDoor Modules

- **PCM-23C1CF-AE** 1 CFast Slot with Cover Protection
- **PCM-24R2PE-AE** 2-Port Gigabit Ethernet, IEEE 802.3af (PoE) Compliant, mPCIe, RJ45
- **PCM-24D2R4-AE** 2-Port Isolated RS-422/485 mPCIe, DB9
- **PCM-24D4R4-AE** 4-Port Non-Isolated RS-422/485 mPCIe, DB37
- **PCM-27D24DI-AE** 24-Channel Isolated Digital I/O w/ counter mPCIe, DB37
- **PCM-24S2WF-AE** WiFi 802.11 a/b/g/n 2T2R w/ Bluetooth4.0, Half-size mPCIe, 2-port SMA
- **PCM-24S23G-AE** Wide-Temp 3.75G HSPA and GPS, 2-in-1, Full-size mPCIe w/ Redundant SIM Card holder, 2-port SMA
- **PCM-26R2PN-MAE** 2-Port Hilscher netX100 FieldBus mPCIe, PROFINET, RJ45, Master
- **PCM-26R2PN-SAE** 2-Port Hilscher netX100 FieldBus mPCIe, PROFINET, RJ45, Slave
- **PCM-26D1DB-MAE** 1-Port Hilscher netX100 FieldBus mPCIe, PROFIBUS, DB9, Master
- **PCM-26D1DB-SAE** 1-Port Hilscher netX100 FieldBus mPCIe, PROFIBUS, DB9, Slave

Ordering Information

- **UNO-3483G-374AE** Intel® Core™ i7-3612QE QC 2.1GHz, 8GB, 2 x LANs, 1 x PCIe4, 2 x Full-size mPCIe, 1 x half-size mPCIe

User scenario



Optional Accessories

- **96PSA-A150W19P4-1** 150W AC to DC power adapter
- **1702002600** Power cable US Plug 1.8 M
- **1702002605** Power cable EU Plug 1.8 M
- **1702031801** Power cable UK Plug 1.8 M
- **1700000596** Power Cable China/Australia Plug 1.8 M

Embedded O/S

- **2070013472** Image WES7P X64 MUI. for UNO-3483G
- **2070013473** Image Linux for UNO-3483G