

ARK-6622

Compact Chassis with one front slot for Mini-ITX Motherboard



Features

- With front I/O interfaces and one expansion slot
- Shockproof drive bay for two 2.5" HDDs
- Bottom door to access CF card or Mini-PCIe card
- LED indicators for system fault detection
- Equipped 180W FLEX power supply



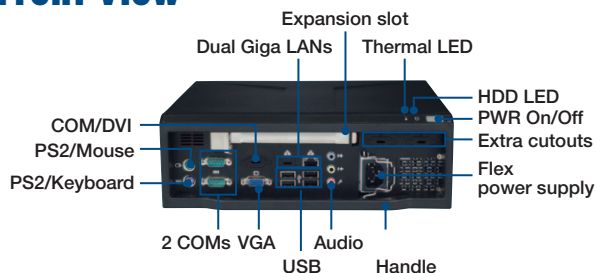
Specifications

Disk Drive Bay	2.5" (internal)	2
Front I/O Openings	USB	4
	PS/2	2
	COM	2
	DVI/COM	1
	RJ-45	2
	Audio	3 (Mic-in, Line-out, Line-in)
	VGA	1
	Expansion slot	1*
Cooling	Reserved cutouts	2 x DB-9 and 2 x Wireless Antenna Opening
	System Fan	ARK-6622H 2 (6 cm/27.7CFM)
Miscellaneous	Air Filter	ARK-6622L 1 (6 cm/15.4CFM)
	LED Indicators	Power, HDD, Temperature
Environment	Control	Power switch
	Temperature	Operating 0 ~ 40° C (32 ~ 104° F)
	Humidity	Non-operating -20 ~ 60° C (-4 ~ 140° F)
	Vibration (5 ~ 500 Hz)	10 ~ 85%, @ 40° C, non-condensing
	Shock	2 G
Physical Characteristics	Dimensions (W x H x D)	10 G (with 11ms duration, half sine wave)
	Weight	272 x 88 x 232 mm (10.7" x 3.5" x 9.1")
		3.49 kg (7.68 lb)

* The expansion slot is supported by dedicated riser cards, so an optional riser card is required for the add-on card.

* 176 mm (W) x 22 mm (H) space is available for add-on cards to assemble in slot.

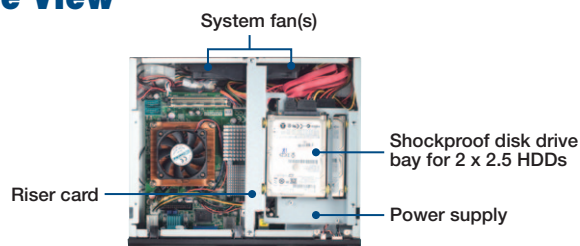
Front View



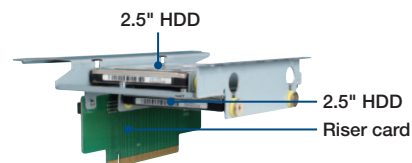
Rear Cover for Replacing Fans

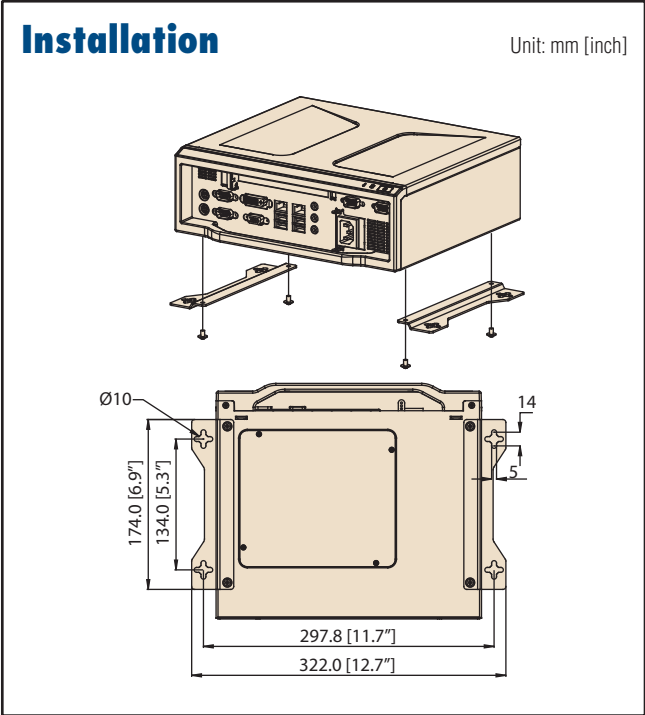
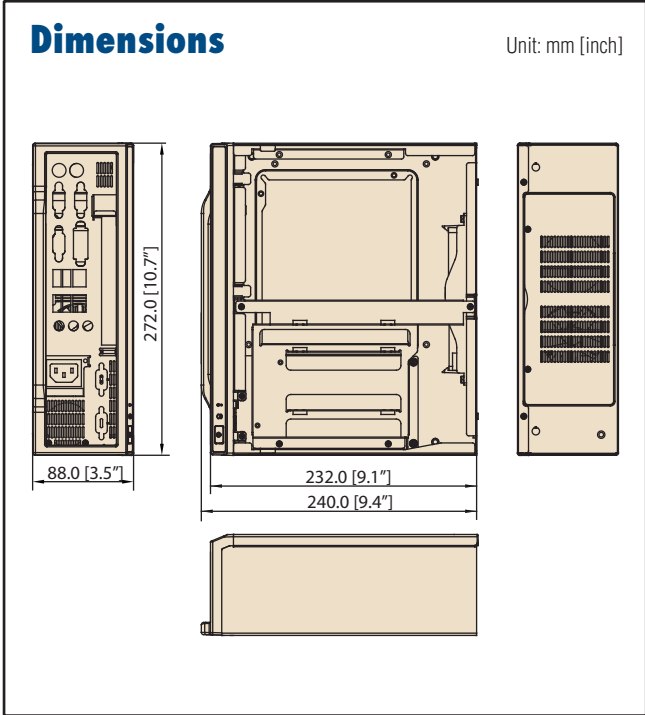


Inside View



2.5" HDDs and Riser Card Bracket





Ordering Information

Part Number	Power Supply	Recommended Motherboard	Recommended Riser Card
ARK-6622H-18ZE	96PS-A180WFX	AIMB-270/262	9892662210E
ARK-6622L-18ZE	96PS-A180WFX	AIMB-258 AIMB-210	9892662210E 9892662200E

Optional Accessories

Part Number	Description
9892662200E	PCI Interface Riser Card (for AIMB-210)
9892662210E	PCIe x16 Interface Riser Card (AIMB-258/262/270)
98R2662001E	VESA mounting kit
1750006419	27.7 CFM system cooling fan (For ARK-6622H)
1750005863	15.4 CFM system cooling fan (For ARK-6622L)