

IPC-3012

Compact Chassis for PICMG 1.3 Half Size SHB



CE FCC

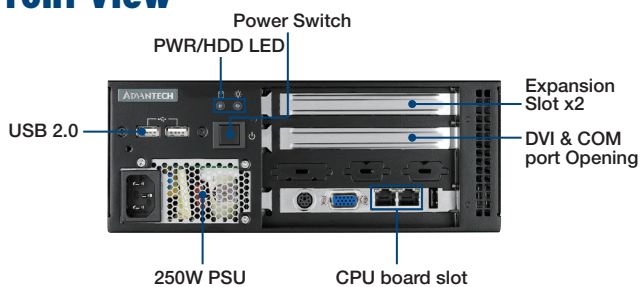
Features

- Compact chassis with two front expansion slots
- Shockproof drive bay for two 2.5" HDDs
- Equipped 80 plus FLEX 250W power supply
- Thumb-screw for top cover easy opening
- Built-in Intrusion switch function
- Bidirectional to mount chassis on wall or workbench

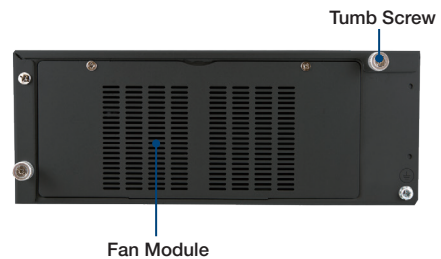
Specifications

Disk Drive Bay	2.5"	External -	Internal 2
Cooling	Fan Air Filters	2 (6 cm/27 CFM) Yes	
Front I/O interface	USB	2	
Miscellaneous	LED Indicators Control	Power, HDD Power Switch	
System Monitoring		Chassis intrusion switch	
Environment	Temperature	Operating 0 ~ 40° C (32 ~ 104° F)	Non-operating -20 ~ 60° C (-4 ~ 140° F)
	Humidity	10 ~ 85 % @ 40° C, non-condensing	10 ~ 95 % @ 40° C, non-condensing
	Vibration (5-500 Hz)	1 Grms	2 G
	Shock	10 G (with 11 ms duration, half sine wave)	
Physical Characteristics	Dimensions (W x H x D)	232 x 90 x 232 mm	
	Weight	3.24 kg (7.14 lb)	

Front View



Rear View

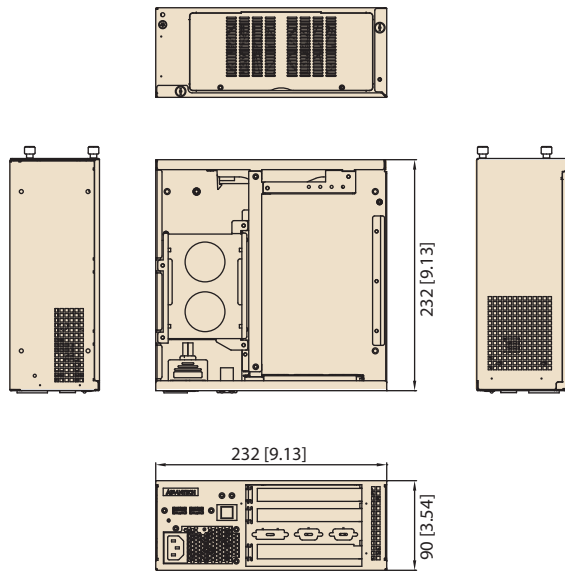


Inside View



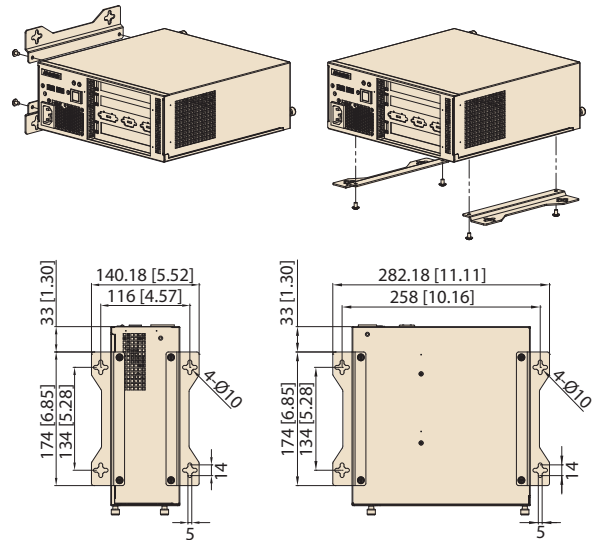
Dimensions

Unit: mm [inch]



Installation

Unit: mm [inch]



Ordering Information

Part Number	Description
IPC-3012-25ZE	With 250W Power supply 96PS-A250WFX-2, with ATX switch

Backplane Options

Part Number	Description
PCE-3B03A-00A1E	3 Slots PICMG1.3BP, PCIe x16*1, PCIe x4*1
PCE-3B03-01A1E	3 Slots PICMG1.3BP, PCIe x16*1, 32-Bit/33 MHz PCI*1

Optional Accessories

Part Number	Description
1750006419	27.72 CFM, system fan 60 x 60 x 13 mm
1990005760T00B	Filter cover
1960053207N001	1.5U CPU cooler for one add-on card applied
1960053065N001	1U CPU cooler for two add-on cards applied