

# PPC-4151W

## 15.6" Fanless Wide Screen Panel PC with Intel® Core™ i5-4300U/i3-4010U Processor



### Features

- 15.6" WXGA entirely flat panel with Projected Capacitive Touchscreen or flat panel with resistive touchscreen
- High performance Intel Core i CPU with Fanless design
- PCIe x4 or PCI expansion support
- Automatic data flow control over RS-485
- Wide Range DC 9-32V support
- Dual Gigabit Ethernet, support IEEE1588
- 3 x Independent display



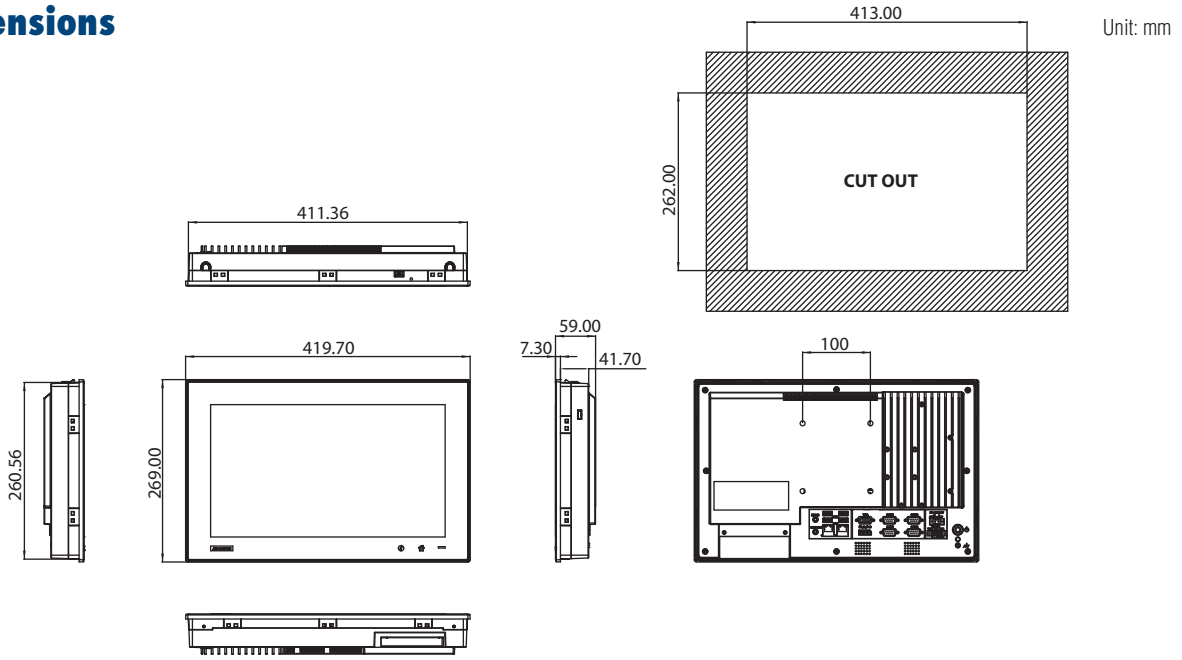
### Introduction

The PPC-4151W is a new generation Panel PC with a WXGA (1366 x 768) screen. Most importantly, the system is equipped with a high performance Intel® Core™ i CPU, yet operating heat is easily dispatched by the high efficiency, fanless thermal design. This is a big step forward in HMI, consolidating performance and reliability in one system. Besides, rich I/O such as 5 x COM, 5 x USB and dual Gigabit ethernet make device connection and integration easy. In addition, PCI/PCIe expansion allows adding field bus or proprietary cards for even more application possibilities. Last but not least, the multi touch screen makes the HMI more intuitive, delivering the best operating experience.

### Specifications

Model	PPC-4151W-P5AE	PPC-4151W-R3AE	
<b>Processor System</b>	CPU	Intel Core i5-4300U, Dual Core	Intel Core i3-4010U, Dual Core
	Frequency	1.9GHz, turbo boost to 2.9GHz	1.7GHz
	2nd Cache	3MB	
	Memory	1 x SO-DIMM, DDR3L1333/1600, Max 8GB (1.35V)	
	Storage	1 x 2.5" SATA Bay 1 x mSATA Bay	
	Network (LAN)	2 x 10/100/1000 Mbps Ethernet (Intel I211-AT; Intel I218LM)	
	I/O ports	5 x Serial ports: 4 x RS-232, 1 x RS-422/485 with isolation 1K V <sub>oc</sub> 4 x USB 3.0 ports in rear side, 1 x USB 2.0 in right side 1 x Line-out, 1x MIC-in 1 x DB15 VGA 1 x Display Port (1.2)	
	Expansion	1 x Mini PCIe 1 x PCIe x 4 (default); 1 x PCI (in the accessory box)	
	Watchdog Timer	255 timer levels, set up by software	
	Speaker	2 x 1W	
<b>Physical Characteristics</b>	Dimensions	419.7 x 269 x 59 mm (16.5" x 10.6" x 2.3")	
	Weight	5.8 kg (12.79 lb)	
<b>OS Support</b>	OS Support	Microsoft® Windows 7 32 and 64-bit/Windows 8.1 32 and 64-bit/WES 7 32 and 64-bit/Windows 10 32 and 64-bit/Linux	
<b>Power Consumption</b>	Input Voltage	9 - 32 Vdc	
	Power Consumption	i5-4300U/i3-4010U: 56W (Burn-in test 7.0 in Windows 7 64 bit)	
<b>LCD Display</b>	Display Type	15.6" TFT LCD (LED Backlight)	
	Max. Resolution	1366 x 768	
	Viewing Angle	85 (Left), 85 (Right), 80 (Up), 80 (Down)	
	Luminance (cd/m <sup>2</sup> )	400	
	Contrast Ratio	500	
	Backlight Lifetime	50,000 hrs min.	
<b>Touchscreen</b>	Touch Type	Projected Capacitive Multi-Touch 10 Point	Analog Resistive 5-Wire
	Light Transmission	88 % ± 2 %	80% ± 5%
	Controller	USB Interface	
<b>Environment</b>	Operating Temperature	0 - 50° C (32 - 122° F) for SSD, 0 - 45° C (32 - 113° F) for HDD	
	Storage Temperature	-40 - 60° C (-40 - 140° F)	
	Relative Humidity	10 - 95% @ 40°C (Non-Condensing)	
	Shock	Operating 10 G Peak Acceleration (11 ms Duration), Follows IEC 60068-2-27	
	Vibration	Operating Random Vibration Test 5 - 500Hz, 1Grms @with HDD; 2Grms @with SSD, Follows IEC 60068-2-64	
	EMC	CE, FCC Class B, BSMI	
	Safety	CB, UL, CCC, BSMI	
	Front Panel Protection	IP65 Compliant	

**Dimensions**

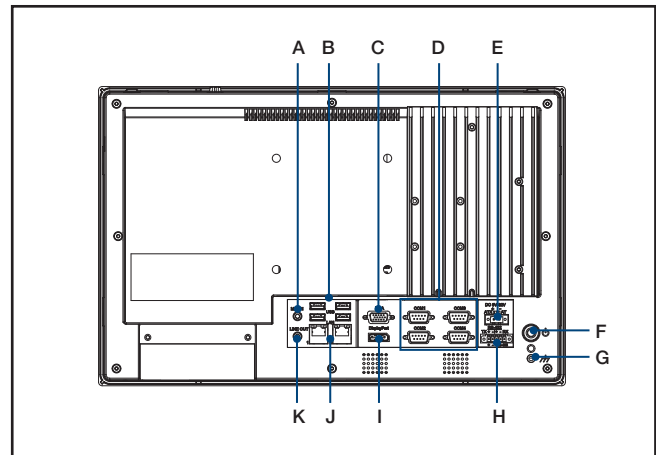


Cut-out dimensions: 413 x 262 mm

**Ordering Information**

Part NO	Description
PPC-4151W-P5AE	15.6" Wide screen PPC with PCT Multi-touch, Intel Core i5-4300U
PPC-4151W-R3AE	15.6" Wide screen PPC with resistive touch, Intel Core i3-4010U
96PSA-A90W190T-1	Adapter AC100-240V 90W 19V
1700001524	POWER Cord 3P UL 10A 125V 180cm
170203183C	POWER Code 3P Europe (WS-010+083)183cm
1700008921	POWER CORD 3P/3P POWER SUPPLY 1.8M PSE
96CB-POWER-B-1.8M	Power code 3P CCC(China) 1.8M
PPC-174T-WL-MTE	Wall mount kit for PPC series
PPC-STAND-A1E	Stand for PPC series
PPC-ARM-A03	ARM VESA Standard (A-CLEVER) for PPC series
PPC-WLAN-B1E	Wi-Fi Module with Antenna Cable 40cm for PPC
2070012905	Image WES7P 32-bit Multi PPC-4151W/4211W-P
2070013051	Image WES7P 64-bit Multi PPC-4151W/4211W-P
98R3415010E	Front USB on cabinet module with Cable 100cm
98R3612000E	mSATA/CFast to USB Card Reader

**I/O Appearance**



- A. Mic-in
- B. 4 x USB 3.0
- C. VGA Port
- D. 4 x RS-232
- E. DC Inlet
- F. Power Button
- G. Ground Line
- H. 1 x RS-422/485
- I. Display Port
- J. 2 x 10/100/1000 Mbps Ethernet
- K. Line Out