

PPC-6171C

17" Configurable Panel PC Chassis for Selectable Mini-ITX Motherboards



Features

- 17" true-flat panel PC with resistive touch
- Supports certified mini-ITX motherboards (up to 45W TDP processor)
- PCI or PCIe expansion slots
- Front-facing power status LED indicators
- IP65-rated front panel
- Optional VESA mount module



Specifications

Model	PPC-6171C-RTAE	PPC-6171C-RMAE	
Supported Motherboard	PPC-MB-8260AE	<ul style="list-style-type: none"> ▪ AIMB-275 ▪ AIMB-226 ▪ SIMB-382 	
Chassis	Storage	1 x 2.5" SATA HDD bay	2 x 2.5" SATA HDD bay
	I/O	4 x Reserved ports (DB9) 2 x WLAN antenna holes	
		1 x AC inlet 1 x Power switch Reserved opening: According to the PPC-MB-8260AE motherboard specifications	1 x AC inlet 1 x Power switch 1 x DP (input, for connecting the motherboard and LVDS panel) 1 x USB 2.0 (input, for connecting the motherboard and touch controller) Reserved opening: According to the motherboard specifications
	Expansion	1 x PCIe x4 or 2 x PCI (in the accessory box) 2 x PCIe x1 (optional) 1 x PCIe x1 + 1 x PCI (optional)	1 x PCIe x4 or 1 x PCI (in the accessory box)
	Speaker	2 x 1 W	2 x 1 W (optional)
Fan	2 x 12V, 60 x 60 x 15 mm		
Physical Characteristics	Dimensions (W x H x D)	437 x 357 x 107.6 mm (17.2" x 14.06" x 4.2")	
	Weight	5.4 Kg (11.9lb)	
OS Support	OS Support	According to motherboard specifications	
Power Consumption	Input Voltage	100 ~ 240 V _{AC} , 250W	
LCD Display	Display Type	17" TFT LED panel	
	Max. Resolution	1280 x 1024	
	Viewing Angle	80 (left), 80 (right), 60 (up), 80 (down)	
	Luminance (cd/m ²)	350	
	Contrast Ratio	800	
	Backlight Lifetime	50,000 hrs	
Touchscreen	Touch Type	5-wire analog resistive, with optional projected capacitive touch	
	Light Transmission	80+/-5%	
	Controller	USB interface	
	Durability	35 million touches	
Environment	Operating Temperature	0 ~ 50 °C (32 ~ 122 °F) 0 ~ 45 °C (32 ~ 113 °F) with VESA mount module	
	Storage Temperature	-40 ~ 60 °C (-40 ~ 140 °F)	
	Relative Humidity	10 ~ 95% @ 40 °C (non-condensing)	
	Shock	Operating: 10 G peak acceleration (11 ms duration), IEC 60068-2-27 compliant	
	Vibration	Operating: Random vibration test 5 ~ 500 Hz, 1 Grms @ with HDD, IEC 60068-2-64 compliant	
	EMC	BSMI, CE, FCC, Class A	CE, FCC, Class A
	Safety	BSMI, CB, CCC, UL	CB, CCC, UL
Front Panel Protection	IP65 compliant		

Motherboard Specifications

PPC-MB-8260AE (For PPC-6171C-RTAE only)

CPU	i7-6700TE	i5-6500TE	i3-6100TE	Pentium G4400TE	Celeron G3900TE
	Quad Core	Quad Core	Dual Core	Dual Core	Dual Core
	3.4 GHz	3.3 GHz	2.7 GHz	2.4 GHz	2.3 GHz
	8 MB	6 MB	4 MB	3 MB	2 MB
Chipset	H110				
Memory	1 x 260-pin SODIMM DDR4, 2133 MHz, up to 16 GB (non-ECC)				
Network (LAN)	2 x 10/100/1000 Mbps Ethernet and 2 x Intel® I211				
Rear I/O	1 x RS232/422/485, 1 x RS232, 1 x DP1.2, 1 x VGA, 4 x USB3.0, 1 x Line-out, 1 x Mic-in				
Internal Connector	3 x RS232, 1 x GPIO (8 channels), 1 x speaker, 1 x LED, 2 x USB 2.0, 1 x LVDS, 1 x touch control, 2 x SATA				
Watchdog Timer	255 timer intervals, configurable using software				
Expansion	1 x full-size mSATA or mini PCIe and 1 x PCIe x4 slot for riser card				
Dimensions (W x H)	170 x 170 mm (6.69 x 6.69")				
OS Support	Microsoft® Windows 7 (32/64 bit), Windows 8.1 (64 bit), Windows 10 (64 bit), Linux				

Ordering Information

M/B Part Number	Chassis Part Number	Cooler Part Number
PPC-MB-8260AE	PPC-6171C-RTAE	1960053207N001
AIMB-275	PPC-6171C-RMAE	1960053207N001
AIMB-226	PPC-6171C-RMAE	1960061914N001

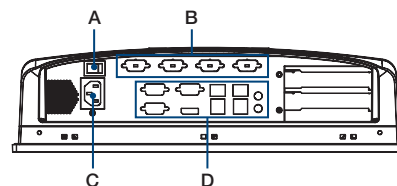
Note 1. The motherboard, chassis, and cooler should be ordered together to ensure easy configuration.
 Note 2. The chassis is equipped with AC power supply and riser cards.

Optional Accessories

Part Number	Description
PPC-WLAN-B1E	Wi-Fi module with antenna cable (40 cm) for PPC
1702002605	Power cable (EU) 90D 220 - 250V/6A, 1.8 M
1702002600	Power cable (US) 180D 125V/10A, 1.83 M
1702031801	Power cable (UK), 1.8 M
96CB-POWER-B-1.8M1	Power cable (China), 1.8 M
PPC-6171C-VESAE	VESA module for PPC-6171C (operating temperature 0 ~ 45 °C)
9893BE0200E	PPC-61X1C-RTAE riser card with 2 x PCIe x1 slots
9893BE03000	PPC-61X1C-RTAE riser card with 1 x PCIe x1 and 1 x PCI slots
PPC-ARM-A03	ARM VESA Standard (A-CLEVER) for PPC series
PPC-174T-WL-MTE	Wall mount kit for PPC series
PPC-Stand-A1E	Stand for PPC series
98R3612000E	Msata/CFast to USB card reader
98R3415010E	Front USB on cabinet module with Cable 100cm

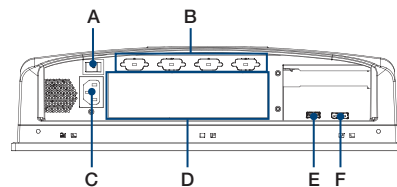
I/O Layout

PPC-6171C-RTAE



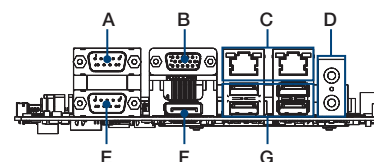
- A. Power switch
- B. Reserved ports
- C. AC inlet
- D. PPC-MB-8260AE I/O port

PPC-6171C-RMAE



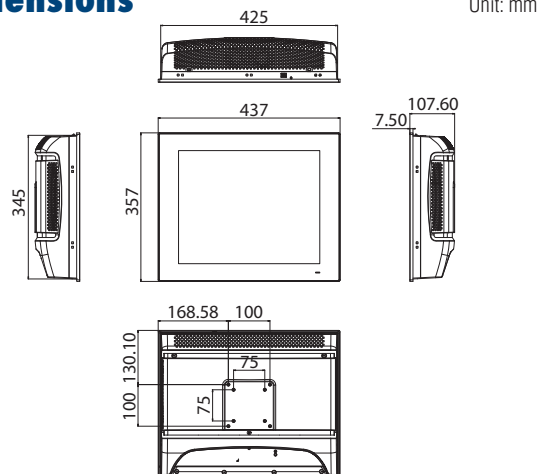
- A. Power switch
- B. Reserved ports
- C. AC inlet
- D. Mini-ITX motherboard I/O port
- E. USB 2.0 (input, for connecting the motherboard and touch controller)
- F. Display port (input, for connecting the motherboard and LVDS panel)

PPC-MB-8260AE



- A. RS232
- B. VGA
- C. 2 x Gigabit Ethernet
- D. Line-out/Mic-in
- E. RS232/422/485
- F. Display Port
- G. USB 3.0

Dimensions



Optional kit for VESA mounting using M4 x 8 mm screws
 Cutout dimensions 427 x 347 mm