

PPC-IPS-AE

**12~30 V_{DC} input/24 V_{DC} output,
Uninterruptible Power Supply Module**



Features

- 50W (2.1A @ 24V) output, 25.2Wh with auto shut down function to PC
- With changeable battery pack for easy maintenance
- Wide Range power input for 12~30 V_{DC}
- Supports over discharging protection to extend battery life
- Metal enclosure supports VESA 75/ VESA 100 and DIN Rail mounting
- With status indicators for monitoring battery pack and input power
- With accessible switch for adjusting timing (30sec / 6 min), to execute auto shut down PC
- With free software utility for configuration and monitoring

Introduction

The lightweight and intelligent power management module, protect Panel PC from electrical damage and greatly reduce the risk of losing data. The IPS module serves as temporary power during a short break in power and allows a safe system shutdown. It can be easily to install on din rail or on the back of Panel PC.

Specifications

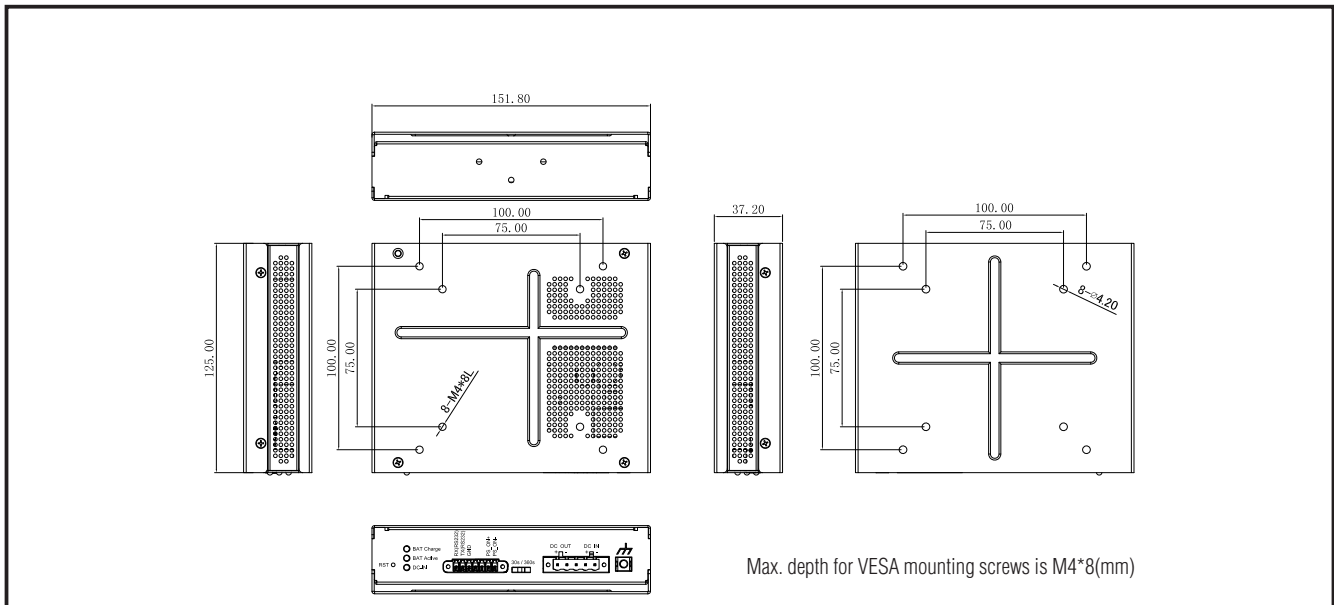
Input	Input Voltage	12~30 V
	Input power rating	90 W
	Charging current	2 A
Output	Output Voltage	24V +/-10%
	Max. output current	2.5 A
Battery	Battery Capacity	14.4 V _{DC} , 1750 mAH
	Cycle life	300 times of charge circle (Above 60% capacity compared to the initial state)
Protection	Short-circuit protection	Yes
	Over discharge protection	IPS shuts down when 5% of battery capacity (Default)
Certification	EMC	CE, FCC, CCC, BSMI
	Safety	UL, CB, CCC, BSMI
Dimensions		151.8 x 125 x 37.2 mm (5.98" x 4.92" x 1.46")
Environment	Operating Temperature	0~50°C (Din rail mounting) 0~45°C (VESA mounting, secured with PPC)
	Storage Temperature	-20~50°C
	Relative Humidity	10 ~ 95% @ 40°C (non-condensing)
	Shock Operating	10 G peak acceleration (11 ms duration), follow IEC 60068-2-27
	Vibration	Operating Random Vibration Test 5~500Hz, 1Grms, follow IEC 60068-2-64
I/O Connectors		PS_ON to shut down PC RS-232 for monitoring and setting IPS

VESA Mount

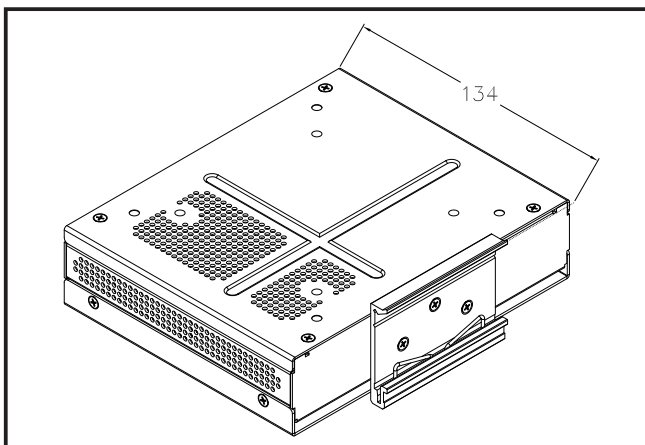


Din-rail Mount

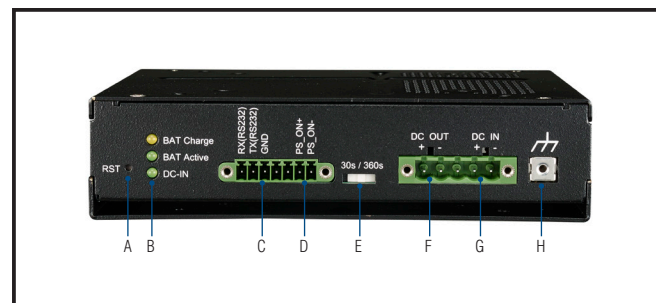




Din-rail Dimensions



I/O Appearance



- A. System reset
- B. Status indicators
- C. RS-232 (for connecting a PC)
- D. PS_ON (to shutdown PC)
- E. Time switch (for setting auto shutdown)
- F. DC out (2 pins)
- G. DC input (2 pins)
- H. Grounding

Ordering Information

Part No.	Description
PPC-IPS-AE	12-30 V _{DC} input/24 V _{DC} output, Uninterruptible Power Supply Module
98R3612001E	PPC-IPS power cable 1 m
98R3612002E	PPC-IPS control cable 1 m
1760001866-01	PPC-IPS battery pack (spare part)

Note: The PPC-IPS-AE is equipped with a battery pack / 300 mm power cable / 300 mm control cable.

If a longer cable is needed, the customer can order the 1 meter 98R3612001E and 98R3612002E cables.

The PPC-IPS-AE only currently supports the PPC-3000 series, please contact Advantech first for operating with other PC systems.