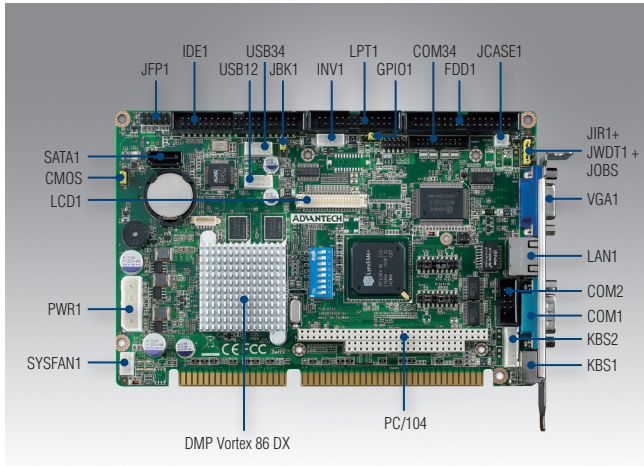


PCA-6743

DM&P Vortex86DX ISA Half-size SBC with VGA/TTL or LVDS/LAN/USB/PC/104/ CFC/COM



Features

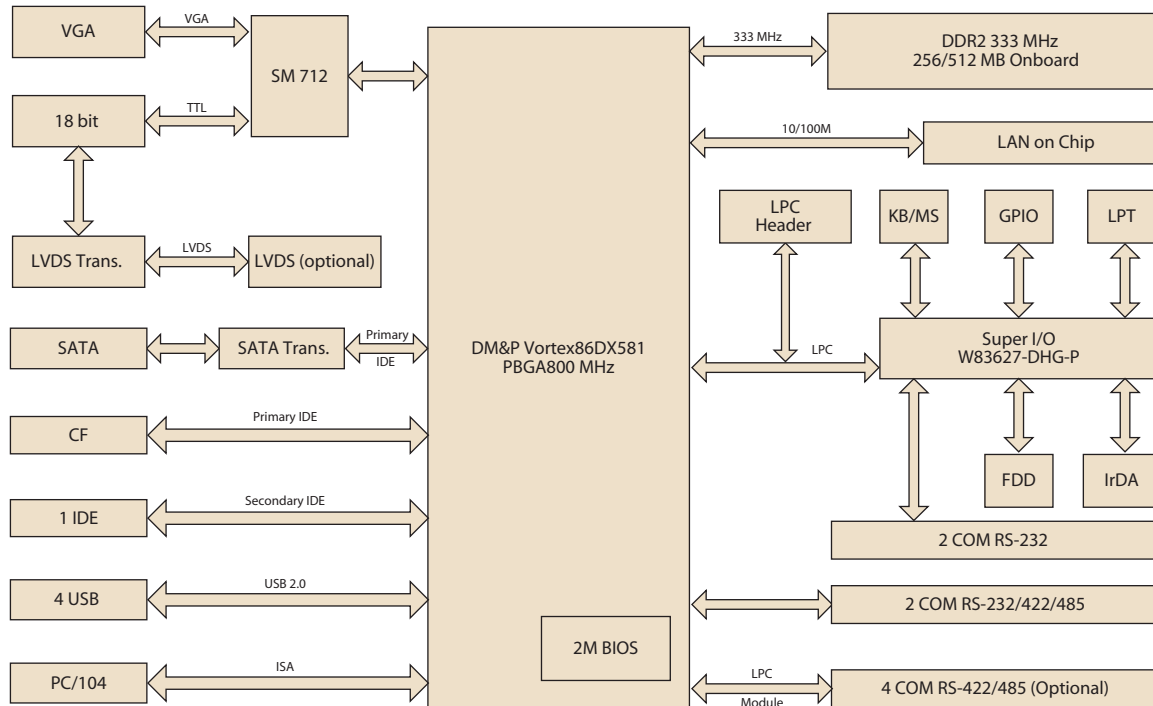
- Ultra low power, fanless DM&P Vortex86DX processor and 512/256 MB onboard DDR2 memory
- VGA+LCD dual video outputs
- FDD/ PC/104/ COM supported
- Optional module for 4 COM485 w/auto-flow control

CE FCC

Specifications

Processor System	CPU	DM&P Vortex86DX
	Max. Speed	800 MHz
	L1 Cache	16 KB I/D-Cache
	L2 Cache	256 KB
	Chipset	DM&P Vortex86DX
BIOS	Award integrated in DM&P Vortex86DX	
	ISA	Full 16-bit ISA Bus signal
Memory	Technology	Default onboard DDR2 256MB (For VE SKU) Default onboard DDR2 512MB (For F SKU)
	Socket	-
	Controller	Chipset integrated VGA controller VGA mode: SM712 graphics chip supports 1024 x 768 @ 24-bit true color LCD mode: SMI SM712 2D graphics chip supports 1024 x 768 @ 18-bit TFT
Graphics	VRAM	Shared 4 MB
	LVDS	18 bit LVDS (optional)
	TTL	Up to 24-bit TTL for TFT LCD
	Dual Display	Supports VGA+LCD simultaneous display
	Interface	10/100 Mbps
Ethernet	Controller	LAN on Vortex86DX
	Connector	RJ-45 x 1
	Mode	UDMA 100
EIDE	Channel	1 (2 IDE devices from secondary IDE)
	Port	1 (F SKU)
I/O Interface	USB	4 (USB 2.0 ports)
	Serial	F SKU: 2 RS-232/422/485 (1 Real I/O and 1 Pin header) + 2 RS-232 (with Pin header)
		VE SKU: 2 RS-232 (1 Real I/O and 1 Pin header)
	Optional: PCA-COM485; Add 4 RS-422/485 with Auto-Flow Control (Need to check if IRQ is available or not)	
	Parallel	1 (EPP/ECP/SPP)
	FDD	1
	GPIO	8-bit 4 in/4 out
PS/2	1 (6-pin DIN socket on bracket for PS/2 keyboard and mouse, 6-pin wafer box connector for keyboard only)	
Watchdog Timer	Output	System reset/IRQ11
	Interval	Programmable, 1~255 sec/min
Miscellaneous	Audio Output	-
	Solid State Disk	Compact Flash socket (Type I/II) from primary master
Power Requirement	Voltage	+12 V +5 V
	Current	0.04 A 1.44 A
Environment	Operating Non-Operating	
	Temperature	0 ~ 60 °C (32 ~ 140 °F) (operating humidity: 40 °C @ 85% RH Non-Condensing)
Physical	Non-Condensing	
	Dimensions (L x H)	185 x 122 mm (7.3" x 4.8")

Block Diagram



Ordering Information

P/N	VGA	TTL	LVDS	SATA	COM	PC104	LPT	FDD	Onboard RAM
PCA-6743VE-Q0A2E	1	1	-	-	2 RS-232	-	1	1	256 MB
PCA-6743F-Q0A2E	1	1	-	1	2 RS-232 2 RS-232/422/485	1	1	1	512 MB
PCA-6743F-L0A2E	1	-	1	1	2 RS-232 2 RS-232/422/485	1	1	1	512 MB

Packing List

Part Number	Description	Quantity
1700008762	Dual-COM port cable kit for COM3-4 (2.00 mm) (for F SKU)	x 1
1700014398-11	4-port USB cable kit (2.0 mm pitch)	x 1
1700060202	Y cable for PS/2 keyboard, PS/2 mouse	x 1
1701260305	COM2 (2.54 mm) +LPT (2.54 mm) cable (for F SKU)	x 1
1700003194	SATA HDD data cable	x 1
1700022749-11	SATA HDD power cable	x 1

Optional Accessories

Part Number	Description
PCA-COM485-00A1E	4 x RS-422/485 COM module

* Please check the IRQ resource availability before add on the module.

I/O View



PCA-6743VE-Q0A2E
 PCA-6743F-Q0A2E
 PCA-6743F-L0A2E