

Thermo Scientific™ Eutech™ TN-100 Waterproof Turbidimeter Operation Instructions



TN-100 Turbidimeter

Getting Started

This instrument operates on the nephelometric principle of turbidity measurement and is designed to meet the criteria specified in ISO 7027 and DIN 27027 standards.

Using a Phillips screwdriver, remove the screws from the battery cover and install (4) AAA batteries (included). Tighten the screws to retain a waterproof seal when completed.



Keypad Functions

	Powers on and shuts off the meter. The meter automatically shuts off 20 minutes after last key press.
	Initiates the calibration mode. Press during calibration mode to abort the calibration and enter Standby "STBY" mode.
	When in measurement mode, the READ/ENTER key is used to perform a measurement. Single Measurements: When the key is pressed and released immediately (less than 0.3 seconds), the display will blink "--Rd--" for 10 times and then display the measured value. Continuous Measurements: If the READ/ENTER key is pressed and held, the instrument will perform a continuous measurement during which the display is updated every 2 seconds. This can be used for indexing vials. (This function is not available in calibration mode). After the READ/ENTER key is released, the instrument will automatically perform a single measurement.
	During calibration mode, these keys are used to select the calibration point in an incremental/decremental manner. Note: This meter uses an auto incrementing feature, i.e. after the successful calibration of one point it automatically selects the next calibration point, or automatically exits the calibration mode after the fourth calibration point. See also "Restoring Factory Calibration".

Turbidity Calibration

The TN-100 was calibrated and tested prior to leaving the factory. The TN-100 kit includes (4) primary standards (0.02, 20.0, 100 and 800 NTU) to verify the meter calibration or to recalibrate the meter as needed. Before measuring samples for the first time, perform a meter calibration with the primary standards. Four standard vials are included and labeled for each standard level. 800 NTU (CAL 1), 100 NTU (CAL 2), 20.0 NTU (CAL 3), 0.02 NTU (CAL 4).

Place the light shield cover over the vial to keep stray light from changing the calibration and sample measurement readings. In many environments, the light shield is not required as the vial cap is able to keep stray light from entering the sample well.

Indexing is not required due to the high quality of the glass vials. Simply align the index mark (arrow) on the vial with the index mark (arrow) on the meter.

Note: Do not shake the calibration standards as air entrapment will introduce error. Do not allow the calibration standards to freeze as this will cause permanent damage to the standards, making them inaccurate.

Calibration Procedure

Preparing the Calibration Standard Vials

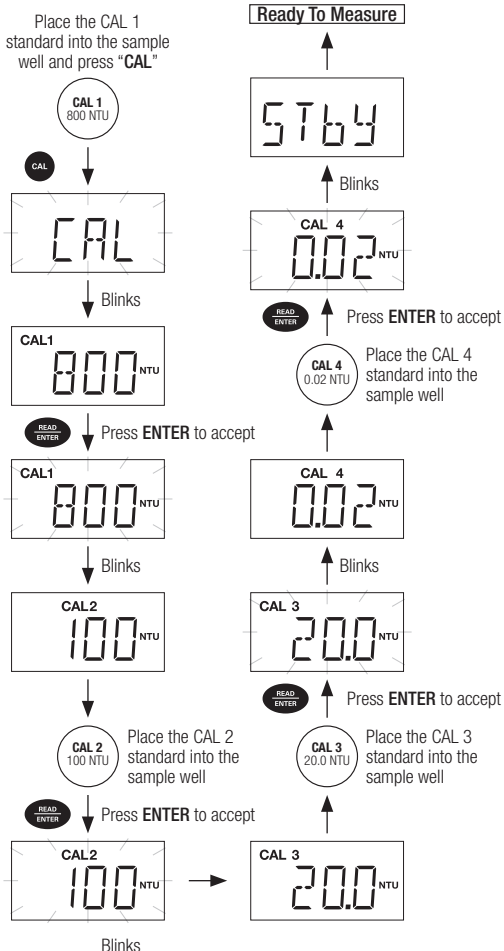
Ensure there are no scratches or marks on the glass vial. If there are marks that could affect the turbidity measurement, select another vial. Before using the standards for the first time, rinse the inside of the vial with a small amount of the same NTU standard that will be used to fill that vial.

1. Gently pour about 5 mL from the 60 mL stock standard into the vial.
2. Cap and swirl the vial so the inside of the vial is fully rinsed with the standard.
3. Pour the standard out of the vial and discard it.
4. Repeat steps 1 through 3.
5. Gently fill the vial using the 60 mL stock standard above the fill line on the vial and cap the vial.
6. Repeat this rinse and filling procedure for the other three vials.

Note: The vial rinsing is critical for precision with the lower NTU standards.

Use these calibration standard vials daily as a check, and also periodically for calibration as needed. When the standard reading of 20.0, 100, or 800 NTU drifts more than 10 % of the standard's NTU value, the solution should be replaced with another aliquot from the plastic bottle following the steps listed above.
Note: 0.02 NTU standard read back value should be <0.1 NTU.

Calibration Sequence

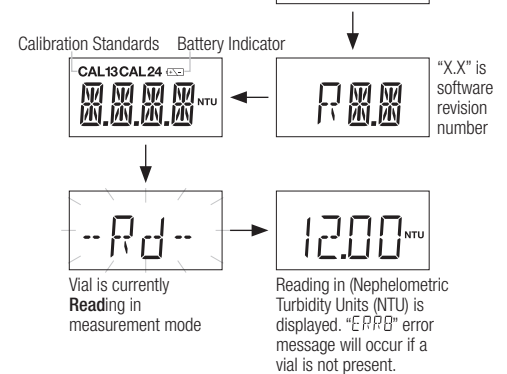


Restoring Factory Calibration

1. With the meter off, press and hold ▲ key.
2. Power on the meter using ON/OFF. Release ▲ key when "UR5T" (User-Reset) appears in the display.
3. The display shows "UR5T" for about 2 seconds and then shows "No".
4. Use ▲ or ▼ key to choose "YES" or "No".
YES = To restore meter back to factory calibration values
No = To retain last calibrated values
5. Press READ/ENTER key to confirm. When "YES" is selected, the meter performs a reset, and will blink "--Rd--" to indicate that it is reading in measurement mode.

Turbidity Measurement

Insert vial containing sample or calibration standards before powering on. Alternatively, from "STBY" mode, press READ/ENTER.

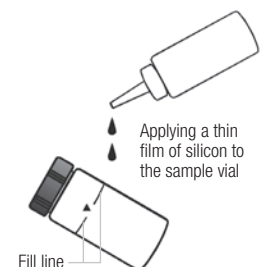


Turbidity Measurement

Good techniques are important for accurate turbidity measurements. For best results, use clean sample vials, properly position the vial in the sample well, cover the vial with the light shield cover, use proper handling of standards, use supplied cloth to keep vials clean and scratch free, and perform meter calibration as needed.

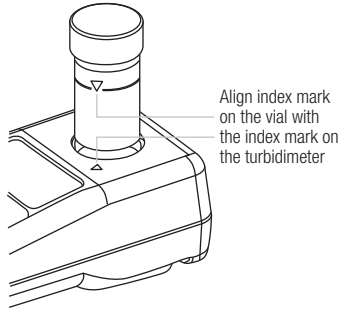
Preparation of Sample Vial

1. Obtain a clean, dry sample vial.
2. Handle the sample vial only by the cap to avoid fingerprints on the glass.
3. Rinse the vial with approximately 10 mL of the sample, capping the vial with the black screw cap and gently inverting it several times. Discard the used sample and repeat.
4. Fill the rinsed vial with the sample up to the mark indicated in the vial. Cap the vial with the supplied black screw cap.
5. Wipe the vial with the soft, lint-free cloth supplied. Ensure that the outside of the vial is dry, clean and free from smudges.
6. Apply a thin film of silicone oil (supplied) on the sample vial (see image below).
7. Wipe with a soft cloth to obtain an even distribution over the entire vial's surface. The purpose of oiling the vial is to fill small scratches and to mask the imperfection in the glass. Do not apply large quantity of oil as this may collect dirt and dust.
8. The sample vial is now ready to be inserted into the sample well for measurement.



Measurement Procedure

1. Turn meter off, and place on a flat, level surface.
2. Place the sample vial inside the sample well and align the vial's index mark with the meter's index mark.

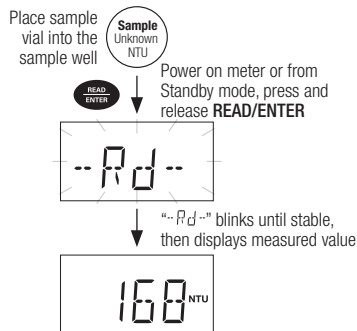


3. Push the vial down until it is seated.
4. Place the light shield cover over the vial that is inserted into the sample well.
5. Turn on the meter by pressing the **ON/OFF** key. After the power-up sequence, the meter goes to measurement mode and the display blinks "--Rd--". The measured reading appears in the display.
* When meter is in "STBY" mode after calibration it is ready for measurement. Press the **READ/ENTER** key. The display blinks "--Rd--" until the measured reading appears.

Notes:

- NEVER pour liquid directly into the sample well of the instrument. Always use a vial. The instrument will only accurately measure the turbidity of a sample when vials sealed with the black caps are used. The black cap serves as both seal and a primary light shield.
- NEVER attempt to clean the sample well. The optics may be damaged.
- For battery conservation, the instrument automatically powers off 20 minutes after the last key pressed.

Measurement Sequence



Troubleshooting Guide

The TN-100 turbidimeter routinely performs self-diagnostics, and will automatically generate messages to provide you with specific diagnostic information.

Message	Description	Corrective Actions
ERR1	Calibration Error. The meter is unable to recognize the 800 NTU Calibration Standard.	Check or replace the 800 NTU calibration standard.
ERR2	Calibration Error. The meter is unable to recognize the 100 NTU Calibration Standard.	Check or replace the 100 NTU calibration standard.
ERR3	Calibration Error. The meter is unable to recognize the 20.0 NTU Calibration Standard.	Check or replace the 20.0 NTU calibration standard.
ERR4	Calibration Error. The meter is unable to recognize the 0.02 NTU Calibration Standard.	Check or replace the 0.02 NTU calibration standard.
ERR5 ERR6 ERR7	General Calibration Error. There is not sufficient signal to achieve the appropriate resolution.	Perform recalibration with all (4) standards.
ERR8	Excessive stray light detected.	Ensure the vial is properly seated in the sample well. Use light shield cover.
ERR9	Lamp Failure.	Return unit.
OR	"Over Range"; value is above maximum measurement range.	Dilute sample.
	Low battery indication. The batteries need to be replaced.	Replace batteries.

Routine Maintenance and Care

The supplied carrying case is optimal for protecting the instrument. If you do not plan on leaving the instrument in the supplied carrying case, when not in use, ensure that the instrument has been turned off and that a clean sample vial fitted with a black cap has been placed in the sample well. This will ensure that a minimal amount of dust and/or debris will be able to settle on the optics of the instrument.

Proper measurement of the turbidity of a sample requires the use of a vial that is free of marks, smudges, scratches and bacterial growth. Sample vials must be handled with absolute care to avoid contamination or damage, which might change the optical characteristics of the glass. Scratches, fingerprints, and water droplets on the sample vial or inside the sample well can cause stray light interference leading to inaccurate readings.

Cleaning the vial is accomplished by washing the interior and exterior of the vial in a detergent solution. Once cleaned, the vial should be rinsed thoroughly 8 to 10 times with clean distilled water to eliminate the possibility of detergent buildup and streaking.

Vials can also be acid washed periodically and coated with a special silicone oil to fill small scratches and mask the imperfections in the glass. Since the silicone oil required for this application should have the same refractive characteristics as glass, it is recommended that the oil be obtained from us. Care should be taken not to apply excessive oil that could attract dirt or contaminate the sample well of the meter. Once the oil has been applied to the vial, the excess oil should be removed with a lint-free cloth. The result should be a sample vial surface with a dry appearance, but with all imperfections filled with oil.

Sample vials should always be handled from the top or by the cap to avoid fingerprints or smudges. After a vial has been filled with a sample and capped, the outside surface should be wiped with a clean, lint-free absorbent cloth until it is dry. Cleaned and dried vials should be stored with the black caps on. The vials can be stored in the carrying case. During normal operation you may use any typical glass cleaner along with a lint free cloth or tissue (Kimwipes®), to clean the outside of the vials.

Condensation may appear on the vial when your sample is very cold and the relative air humidity is high. When this happens, the turbidity that you read may be higher than the actual turbidity due to the light scattered by the condensate on the vial. To alleviate this problem, coat the vial with an anti-fogging agent, or by running warm water over the vial for a short period of time to warm the sample prior to measurement.

Intended Use, Maintenance & Precautions

This instrument is designed for turbidity measurement of water-based solutions. For routine maintenance dust or wipe the display using a damp cloth. If necessary, warm water or a mild water based detergent can be used. Immediately remove any spilled substance from contact with the meter using the proper cleaning procedure for the type of spill.

- Do not use this equipment in potentially explosive atmospheres.
- Ensure that no liquid enters the instrument.
- Do not use any aggressive cleaning chemicals (solvents or similar agents).
- There are no user serviceable parts inside. Attempts to service internal parts may void the warranty.
- **WARNING:** No modification of this equipment is allowed.

Instrument Operating Conditions

Operating Ambient Temp.	0 to 50 °C
Operating Relative Humidity	0 to 90 %, non-condensing at 30 °C
Storage Temp.	-20 to +60 °C (instrument only)
Storage Relative Humidity	0 to 90 %, non-condensing at 30 °C
Pollution	Degree 2
Overvoltage	Category II
Weight	200 g
Size (L x W x H)	15.5 x 6.8 x 4.6 cm
Battery Requirement	4 x AAA (LR03) 1.5 V batteries
Vibration	Shipping/handling per ISTA #1A
Shock	Drop test in packaging per ISTA #1A
Certifications/Compliance	FCC part 15 class A, TUV 3 in 1, CE, RoHS

Ordering Information

ECTN100IR	Waterproof TN-100 handheld turbidimeter with set of 4 calibration standards (800, 100, 20.0 & 0.02 NTU), sample vials, lint-free cloth, silicone oil, batteries, and hard carrying case
ECTN100NOSTDS	Waterproof TN-100 handheld turbidimeter, sample vials, lint-free cloth, silicone oil, batteries, and hard carrying case
TN100CALKIT	Calibration kit set – standard solutions (0.02, 20.0, 100, 800 NTU) 60 mL each and (4) vials
ECTN100CUVKT	Pack of 3 sample vials
ECTN100CUVKIT4	Pack of 4 sample vials
ECSILICONEOIL	Silicone oil (10 mL)
32X366401	Replacement light shield cover
67X357201	Replacement cloth



Turbidímetro TN-100

Primeros pasos

Este instrumento funciona de acuerdo con el principio nefelométrico de medición de turbidez y su diseño cumple los criterios especificados por las normas ISO 7027 y DIN 27027.

Con ayuda de un destornillador de estrella, extraiga los tornillos de la tapa de las pilas e introduzca las (4) pilas AAA (incluidas). Apriete los tornillos para mantener el sellado impermeable.



Funciones del teclado

	Enciende y apaga el medidor. El medidor se apaga automáticamente 20 minutos después de que se presiona una tecla por última vez.
	Inicia el modo de calibración. Presione durante el modo de calibración para anular la calibración y pasar al modo en espera "STBY".
	<p>Cuando se presiona en el modo de medición, la tecla READ/ENTER se usa para llevar a cabo una medición. Mediciones individuales: Cuando se presiona la tecla y se suelta inmediatamente (en menos de 0,3 segundos), la pantalla parpadeará con el mensaje "RD" 10 veces y después mostrará el valor medido.</p> <p>Mediciones continuas: Si se presiona y mantiene pulsada la tecla READ/ENTER, el instrumento llevará a cabo una medición continua durante la cual la pantalla se actualizará cada 2 segundos. Esto se puede utilizar para indexar archivos. (Esta función no está disponible en el modo de calibración). Una vez que se suelta la tecla READ/ENTER, el instrumento realizará una medición automáticamente.</p>
	Durante el modo de calibración, estas teclas se usan para seleccionar el punto de calibración en un orden ascendente o descendente. Nota: Este medidor usa una característica de aumento automático; es decir, después de calibrar con total éxito un punto, selecciona automáticamente el siguiente punto de calibración o sale de manera automática del modo de calibración después del cuarto punto de calibración. Vea también «Restauración a la calibración de fábrica».

Calibración de la turbidez

El TN-100 ha sido calibrado y probado antes de salir de fábrica. El kit del TN-100 incluye (4) patrones primarios (0,02; 20,0; 100 y 800 NTU) para comprobar la calibración del medidor o para recalibrarlo cuando fuera necesario. Antes de medir muestras por primera vez, realice una calibración del medidor con los patrones primarios. Se incluyen cuatro viales con patrones etiquetados según el nivel del estándar: 800 UNT (CAL 1), 100 UNT (CAL 2), 20,0 UNT (CAL 3), 0,02 UNT (CAL 4).

Coloque el protector de luz sobre el vial para evitar que la luz dispersa modifique la lectura de la medición de la muestra o el calibrador. En muchos ambientes, no es necesario el protector de luz, ya que el propio tapón del vial impide que la luz dispersa entre en el puerto para muestras. La indexación no es necesaria debido a la alta calidad de los viales de vidrio. Simplemente alinee la marca indicadora (flecha) del vial con la marca indicadora (flecha) del medidor.

Nota: No agite los patrones de calibración, ya que el aire atrapado puede provocar errores. No deje que se congelen los patrones de calibración, puesto que esto haría que perdieran su exactitud y quedarían invalidados.

Procedimiento de calibración

Preparación de los viales con patrones de calibración

Asegúrese de que el vidrio del vial no tenga ninguna marca o rayón. Si hubiera alguna marca que pudiera afectar a la medición de la turbidez, use otro vial. Antes de usar los patrones por primera vez, enjuague el interior del vial con una pequeña cantidad del mismo patrón UNT que se usará para rellenar el vial.

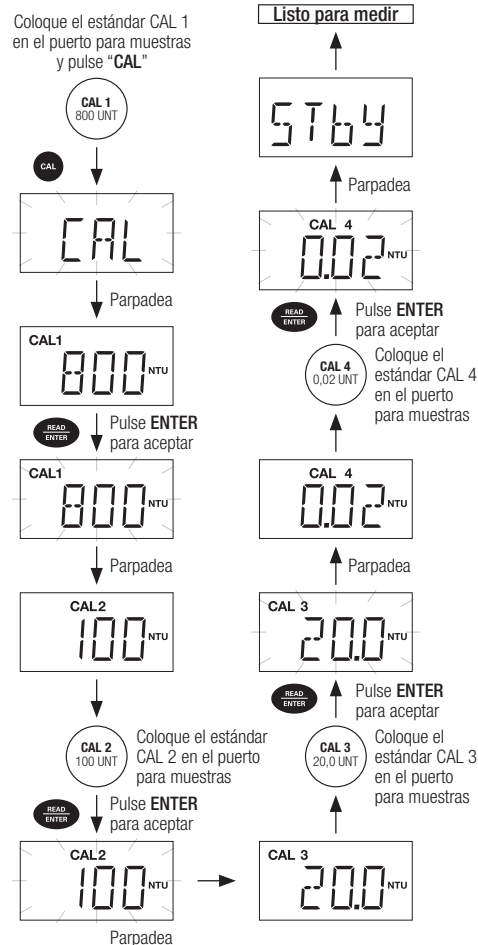
1. Vierta cuidadosamente en el vial unos 5 ml de la solución patrón de 60 ml.
2. Tape y gire el vial de manera que el interior se enjuague completamente con el patrón.
3. Vacíe el patrón del vial y deséchelo.
4. Repita los pasos del 1 al 3.
5. Rellene con cuidado el vial usando la solución patrón de 60 ml por encima de la línea de rellenado marcada en el vial y tápelo.
6. Repita este procedimiento de enjuague y rellenado para los otros tres viales.

Nota: El enjuagado de los viales es crucial para la precisión con los patrones UNT más bajos.

Use estos viales como patrón de calibración diaria o como comprobación y, asimismo, úselos regularmente cuando necesite realizar una calibración. Cuando la lectura del patrón de 20,0, 100 u 800 UNT difiera más de un 10 % del valor de UNT marcado, se deberá cambiar la solución por otra alícuota del frasco de plástico siguiendo los pasos descritos anteriormente.

Nota: El valor límite del patrón de 0,02 UNT debe ser < 0,1 UNT.

Secuencia de calibración

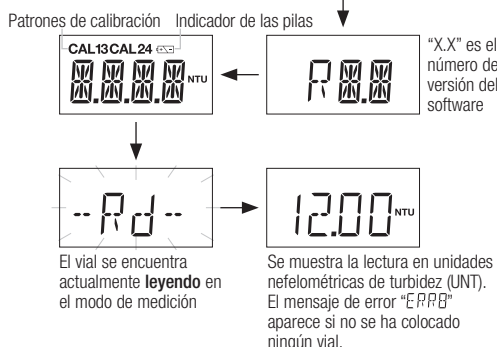


Restauración a la calibración de fábrica

1. Con el medidor apagado, mantenga presionada la tecla ▲.
2. Encienda el medidor con la tecla **ON/OFF**. Suelte la tecla ▲ cuando la pantalla muestre "UPT" (Reinicio del usuario).
3. La pantalla mostrará "UPT" durante unos 2 segundos y a continuación "No".
4. Use las teclas ▲ o ▼ para elegir "YES" o "No".
 YES = Para restaurar los valores de calibración de fábrica del medidor.
 No = Para mantener los últimos valores de calibración.
5. Pulse la tecla **READ/ENTER** para confirmarlo. Cuando selecciona "YES", el medidor lleva a cabo un reinicio y parpadeará el mensaje "RD" para indicar que está leyendo en modo de medición.

Medición de la turbidez

Introduzca el vial que contiene la muestra o los patrones de calibración antes de encender el equipo. También, desde el modo "STBY", pulse **READ/ENTER**.

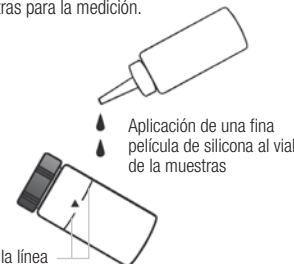


Medición de la turbidez

Es muy importante una buena técnica para obtener medidas precisas de la turbidez. Para obtener mejores resultados, utilice viales de muestras limpios, correctamente colocados en el puerto para muestras, cubra el vial con la cubierta protectora de luz, manipule adecuadamente los patrones, utilice los paños suministrados para mantener los viales limpios y sin rayones y lleve a cabo la calibración del medidor cuando sea necesario.

Preparación del vial para muestras

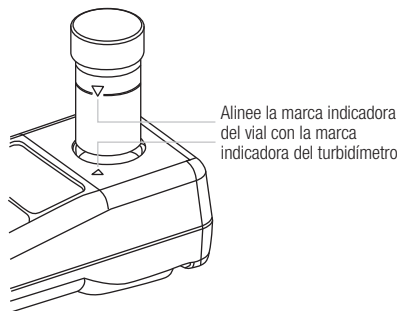
1. Disponga un vial para muestras limpio y seco.
2. Manipule el vial para muestras únicamente tomándolo por la tapa, para evitar dejar huellas en el vidrio.
3. Enjuague el vial con aproximadamente 10 ml de la muestra, tapando el vial con la tapa negra de rosca y dele la vuelta suavemente varias veces. Deseche la muestra usada y repita la operación.
4. Rellene el vial enjuagado con la muestra hasta la marca señalada en el vial. Tape el vial con la tapa negra de rosca suministrado.
5. Limpie el vial con el paño suave y sin pelusa que se suministra. Asegúrese de que el exterior del vial está seco, limpio y sin manchas.
6. Aplique una fina capa de aceite de silicona (suministrado) sobre el vial de la muestra (vea la imagen siguiente).
7. Use un paño fino para distribuirlo por toda la superficie del vial. El fin del aceite en el vial es rellenar pequeños rayones y disimular las imperfecciones del vidrio. No aplique demasiado aceite, ya que entonces podría arrastrar partículas de polvo y suciedad.
8. Ahora el vial para muestras ya está preparado para introducirse en el puerto para muestras para la medición.



Rellenar hasta la línea

Procedimiento de medición

1. Apague el medidor y colóquelo en una superficie horizontal plana.
2. Coloque el vial para muestras en el interior del puerto para muestras y alinee la marca indicadora del vial con la marca indicadora del turbidímetro.



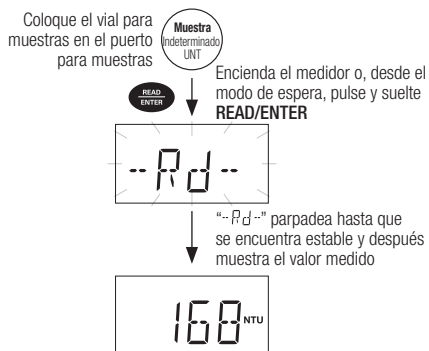
3. Introduzca el vial hasta el fondo, hasta que quede bien asentado.
4. Coloque el protector de luz sobre el vial que ha introducido en el puerto para muestras.
5. Encienda el medidor pulsando el botón **ON/OFF**. Tras la secuencia de encendido, el medidor pasa al modo de medición y en la pantalla parpadea "--Pd--". La lectura medida aparece en la pantalla.

* Cuando, tras la calibración, el medidor está en el modo "STBY", el medidor está listo para realizar mediciones. Pulse la tecla **READ/ENTER**. En la pantalla parpadeará "--Pd--" hasta que aparezca la lectura medida.

Notas:

- NUNCA vierta líquido directamente en el puerto para muestras del instrumento. Use siempre un vial. El instrumento solo medirá la turbidez de una muestra con precisión si se usan los viales sellados con las tapas negras. La tapa negra sirve al mismo tiempo de sello y de protector de luz.
- NUNCA intente limpiar el puerto para muestras. Podría dañar los elementos ópticos.
- Para alargar la duración de las pilas, el aparato se apaga automáticamente 20 minutos después de que se presiona una tecla por última vez.

Secuencia de medición



Guía de resolución de problemas

El turbidímetro TN-100 efectúa autodiagnósticos con regularidad y genera mensajes automáticos para informarle sobre dichos diagnósticos.

Mensaje	Descripción	Acciones correctoras
ERR1	Calibration Error (Error de calibración). El medidor no puede reconocer el patrón de calibración de 800 UNT.	Compruebe o cambie el patrón de calibración de 800 UNT.
ERR2	Calibration Error (Error de calibración). El medidor no puede reconocer el patrón de calibración de 100 UNT.	Compruebe o cambie el patrón de calibración de 100 UNT.
ERR3	Calibration Error (Error de calibración). El medidor no puede reconocer el patrón de calibración de 20,0 UNT.	Compruebe o cambie el patrón de calibración de 20,0 UNT.
ERR4	Calibration Error (Error de calibración). El medidor no puede reconocer el patrón de calibración de 0,02 UNT.	Compruebe o cambie el patrón de calibración de 0,02 UNT.
ERR5 ERR6 ERR7	General Calibration Error (Error de calibración general). No hay suficiente señal para lograr una resolución adecuada.	Realice una segunda calibración con los (4) patrones.
ERR8	Se ha detectado demasiada luz parásita.	Asegúrese de que los viales están bien asentados en el puerto para muestras. Use el protector de luz.
ERR9	Lamp Failure (Fallo de la lámpara).	Devuelva la unidad.
OR	"Over Range": el valor está por encima del límite superior del rango de medición.	Diluya la muestra.
	Indicación de batería baja. Es necesario cambiar las pilas.	Cambie las pilas.

Mantenimiento y cuidados habituales

La funda de transporte suministrada protege perfectamente el aparato. Si no tiene pensado dejar el instrumento en la funda de transporte cuando no lo esté usando, asegúrese de que está apagado y que se ha colocado en el puerto un vial para muestras limpio con la tapa negra. De esta manera, se logra que la cantidad de polvo o suciedad que entra en el sistema óptico del aparato sea mínima.

Para medir correctamente la turbidez de una muestra, hace falta usar un vial sin marcas, manchas, rayones o señales de crecimiento bacteriano. Los viales para muestras se deben manipular con sumo cuidado para evitar que se contaminen o se dañen, lo que podría modificar las características ópticas del vidrio. Los rayones, las huellas dactilares o las gotitas de agua en el vial para muestras o dentro del puerto para muestras pueden causar interferencias de luz parásita que acaben provocando lecturas inexactas.

La limpieza del vial se efectúa lavando el interior y el exterior del vial con una solución detergente. Una vez limpio, el vial se debe enjuagar bien de 8 a 10 veces con agua destilada para eliminar la posibilidad de que queden restos o hilos de detergente.

Además, los viales se pueden limpiar con ácido de manera periódica y revestir con un aceite de silicona especial para rellenar los pequeños rayones y disimular las imperfecciones del vidrio. Debido a que el aceite de silicona necesario para este fin debería tener las mismas características de refracción que el vidrio, recomendamos usar el aceite que nosotros suministramos. Se debe tener cuidado de no aplicar demasiado aceite, ya que podría atraer suciedad o contaminar el puerto para muestras del medidor. Cuando se haya aplicado el aceite en el vial, se debe quitar el exceso de aceite con un paño que no suelte pelusa. El resultado final será una superficie del vial con apariencia seca, pero con todas las imperfecciones rellenadas por el aceite.

Los viales de las muestras se deben manipular siempre por la parte superior por la tapa negra para evitar dejar huellas dactilares o manchas. Una vez que el vial se ha llenado con una muestra y se ha tapado, se debe limpiar la superficie externa con un paño absorbente que no suelte pelusas hasta que quede seco. Los viales se deben conservar limpios y secos con la tapa negra colocada. Los viales se pueden almacenar en la funda de transporte. Durante un uso normal, puede usar un limpiador de cristales normal junto con un paño o un

pañuelo que no suelte pelusas (Kimwipes®) para limpiar el exterior de los viales.

Si su muestra está muy fría y la humedad relativa del ambiente es muy alta, puede aparecer condensación. Cuando ocurre, la turbidez que lee puede ser mayor que la turbidez real debido a la luz dispersada por las gotas condensadas en el vial. Para solucionar este problema, recubra el vial con un tratamiento antivaho o pasando agua caliente por el vial durante un corto periodo de tiempo para calentar la muestra antes de efectuar la medición.

Uso previsto, mantenimiento y precauciones

El aparato está diseñado para medir la turbidez de soluciones acuosas. Como mantenimiento diario, quite el polvo o limpie la pantalla con un paño húmedo. Si es necesario, puede usar detergente a base de agua templado o caliente. Quite inmediatamente cualquier sustancia derramada en contacto con el medidor mediante el procedimiento de limpieza adecuado para cada tipo de derrame.

- No use este equipo en atmósferas potencialmente explosivas.
- Asegúrese de que no entre ningún líquido en el instrumento.
- No use sustancias químicas de limpieza agresivas (disolventes o similares).
- En el interior, no hay piezas que pueda reparar el usuario. Cualquier intento de reparar piezas internas anulará la garantía.
- **ADVERTENCIA:** No está permitido modificar el instrumento.

Condiciones de uso del instrumento	
Temp. ambiente de uso	De 0 a 50 °C
Humedad relativa de uso	De 0 a 90 %, sin condensación a 30 °C
Temp. de conservación	De -20 a +60 °C (instrumento solamente)
Humedad relativa de conservación	De 0 a 90 %, sin condensación a 30 °C
Contaminación	Grado 2
Sobrevoltaje	Categoría II
Peso	200 g
Tamaño (La x An x Al)	15,5 x 6,8 x 4,6 cm
Requisitos de las pilas	4 pilas AAA (LR03) de 1,5 V
Vibración	Envío/manipulación según ISTA #1A
Descarga	Prueba de caída en embalaje según ISTA #1A
Certificaciones/Conformidad	FCC parte 15 clase A, TUV 3 en 1, CE, RoHS

Información para pedidos	
ECTN100IR	Turbidímetro portátil y sumergible TN-100 con un juego de cuatro patrones de calibración (800; 100; 20,0; y 0,02 UNT), viales para muestras, paño sin pelusas, aceite de silicona, pilas y funda de transporte
ECTN100NOSTDS	Turbidímetro portátil y sumergible TN-100, viales para muestras, paño sin pelusas, pilas y una funda de transporte rígida
TN100CALKIT	Kit de calibración: soluciones estándar (0,02; 20,0; 100; y 800 UNT) de 60 ml cada una y (4) viales
ECTN100CUVKT	Paquete de 3 viales de muestras
ECTN100CUVKT4	Paquete de 4 viales de muestras
ECSILICONEOIL	Aceite de silicona (10 ml)
32X366401	Protector de luz de repuesto
67X357201	Paño de repuesto

Thermo Fisher Scientific
Eutech Instruments Pte Ltd
Blk 55, Ayer Rajah Crescent,
#04-16/24, Singapore 139949
Tel: (65) 6778-6876
eutech@thermofisher.com
www.eutechinst.com

Thermo
SCIENTIFIC

A Thermo Fisher Scientific Brand



Turbidimètre TN-100

Pour commencer

L'instrument fonctionne selon le principe néphélométrique de mesure de la turbidité et a été conçu pour répondre aux critères spécifiés dans les normes ISO 7027 et DIN 27027.

A l'aide d'un tournevis cruciforme, retirer les vis du couvercle des piles et installer les (4) piles AAA (incluses). Bien revisser les vis de manière à avoir un joint étanche lorsque vous aurez terminé.



Fonctions du clavier

	Allume et éteint le turbidimètre. Le turbidimètre s'éteint automatiquement 20 minutes après la dernière pression sur une touche.
	Démarré le mode d'étalonnage. En mode d'étalonnage, appuyer pour arrêter l'étalonnage et accéder au mode Standby « STBY ».
	En mode de mesure, la touche LECTURE/ENTRÉE est utilisée pour effectuer une mesure. Mesures uniques: Lorsque l'on appuie et relâche immédiatement la touche (en moins de 0,3 secondes), « --Pd-- » s'affiche et clignote 10 fois avant d'afficher la valeur mesurée. Mesures continues: Si l'on appuie sur la touche LECTURE/ENTRÉE en la maintenant appuyée, l'instrument effectuera une mesure continue pendant laquelle l'affichage est mis à jour toutes les 2 secondes. Ceci peut être utilisé pour le raccord des flacons. (Cette fonction n'est pas disponible en mode d'étalonnage). Un fois que la touche LECTURE/ENTRÉE est relâchée, l'instrument effectue automatiquement une mesure unique.
	En mode d'étalonnage, ces touches sont utilisées pour sélectionner le point d'étalonnage de manière ascendante ou descendante. Remarque: Ce turbidimètre utilise une fonction auto-ascendante, c.-à-d. qu'après l'étalonnage réussi d'un point, il passe automatiquement au point d'étalonnage suivant ou quitte automatiquement le mode d'étalonnage après le quatrième point d'étalonnage. Voir également « Restaurer l'étalonnage d'usine ».

Étalonnage de la turbidité

Le TN-100 a été calibré et testé avant de quitter l'usine. Le kit TN-100 comprend (4) étalons principaux (0,02 ; 20,0 ; 100 et 800 NTU) pour vérifier l'étalonnage du turbidimètre ou le ré-étalonner si nécessaire. Avant de mesurer des échantillons pour la première fois, effectuer un étalonnage du turbidimètre avec les étalons principaux. Les quatre flacons standard inclus sont étiquetés pour correspondre à chaque concentration d'étalon. 800 NTU (CAL 1), 100 NTU (CAL 2), 20,0 NTU (CAL 3), 0,02 NTU (CAL 4).

Placer le pare-lumière sur le flacon pour éviter l'introduction de

lumière parasite, ce qui modifierait l'étalonnage et la mesure des échantillons. Dans de nombreux environnements, le pare-lumière n'est pas nécessaire car le bouchon du flacon permet d'éviter l'introduction de lumière parasite dans le puits d'échantillon.

Le raccord n'est pas nécessaire en raison de la grande qualité des flacons de verre. Aligner simplement la marque de raccord (flèche) du flacon avec la marque de raccord (flèche) du turbidimètre.

Remarque: Ne pas agiter les étalons car l'introduction de bulles d'air provoquerait des erreurs de lecture. Ne pas congeler les étalons car ceci les endommagerait de manière permanente et les rendrait inexactes.

Procédure d'étalonnage

Préparation des flacons d'étalons

S'assurer qu'il n'y a pas de rayures ou de marques sur les flacons de verre. S'il y a des marques qui pourraient affecter la mesure de la turbidité, choisir un autre flacon. Avant d'utiliser les étalons pour la première fois, rincer l'intérieur du flacon avec une petite quantité d'étalon de même NTU que celui qui sera utilisé pour remplir le flacon.

1. Verser doucement environ 5 mL du stock de 60 mL d'étalon dans le flacon.
2. Reboucher et agiter le flacon en tournoyant pour rincer entièrement les parois intérieures avec la solution d'étalon.
3. Vider le flacon et éliminer la solution étalon.
4. Répéter les étapes 1 à 3.
5. Remplir doucement le flacon à partir du stock de 60 mL d'étalon jusqu'au dessus de la ligne de remplissage du flacon et reboucher ce dernier.
6. Répéter les procédures de rinçage et de remplissage pour les trois autres flacons.

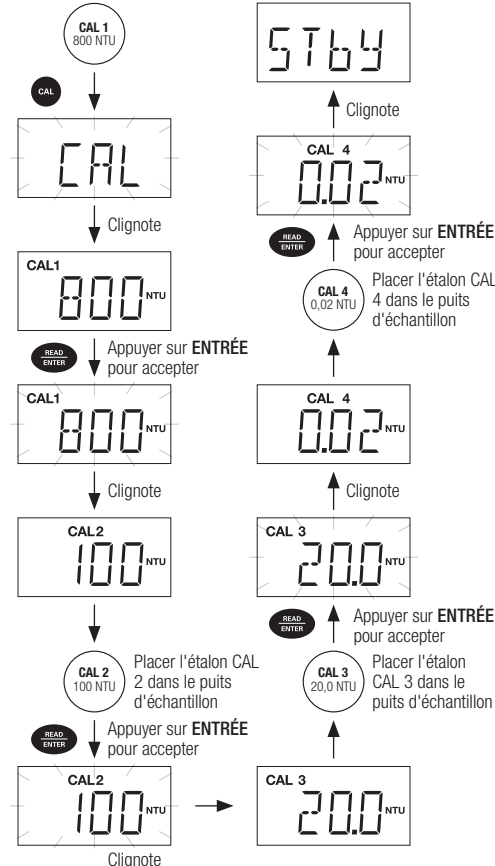
Remarque: Dans le cas des étalons de faible NTU, le rinçage des flacons est crucial pour assurer la précision.

Utiliser ces flacons d'étalonnage chaque jour aux fins de vérification et périodiquement pour refaire un étalonnage selon les besoins. Lorsque la mesure des étalons 20,0 ; 100 ou 800 NTU dérive de plus de 10 % de la valeur NTU de l'étalon, la solution doit être remplacée par une autre aliquote de la bouteille en plastique en suivant les étapes décrites ci-dessus.

Remarque: La valeur de relecture de l'étalon de 0,02 NTU doit être < 0,1 NTU.

Séquence d'étalonnage

Placer l'étalon CAL 1 dans le puits d'échantillon et appuyer sur « CAL »

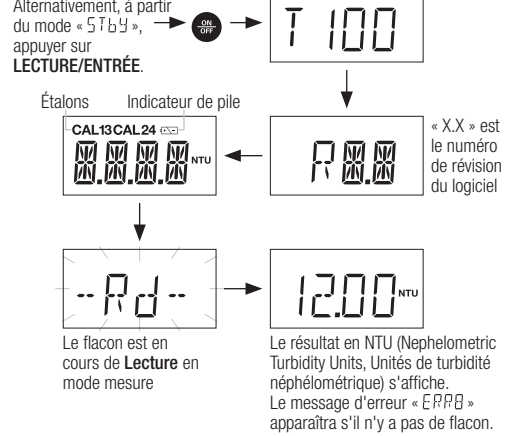


Restaurer l'étalonnage d'usine

1. Lorsque le turbidimètre est éteint, appuyer et maintenir appuyée la touche **▲**.
2. Allumer le turbidimètre à l'aide du bouton **ON/OFF**. Relâcher la touche **▲** quand « UPT » (Utilisateur-Réinitialiser) s'affiche.
3. L'écran affiche « UPT » pendant environ 2 secondes puis affiche « H0 ».
4. Utiliser la touche **▲** ou la touche **▼** pour choisir « Y5 » ou « H0 ». Y5 = Pour restaurer les paramètres d'étalonnage d'usine du turbidimètre. H0 = Pour garder les dernières valeurs d'étalonnage.
5. Appuyer sur la touche **READ/ENTER** (LECTURE/VALIDER) pour confirmer. Quand « Y5 » est sélectionné, le turbidimètre effectue une réinitialisation et « --Pd-- » va clignoter pour indiquer que la lecture en cours est en mode mesure.

Mesure de la turbidité

Insérer le flacon contenant l'échantillon ou l'étalon avant d'allumer l'instrument.

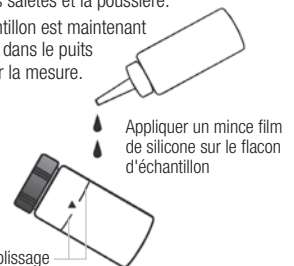


Mesure de la turbidité

Il est important d'avoir une bonne technique pour réaliser des mesures de turbidité exactes. Pour obtenir des résultats optimaux, utiliser un flacon d'échantillon propre, placer le flacon correctement dans le puits d'échantillon, couvrir le flacon avec le pare-lumière, manipuler correctement les étalons, utiliser le chiffon fourni pour nettoyer les flacons et éviter qu'ils ne se rayent, et effectuer un étalonnage du turbidimètre si nécessaire.

Préparation du flacon d'échantillon

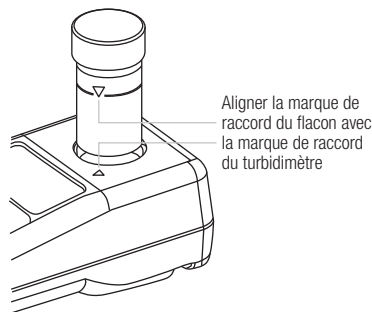
1. Prendre un flacon d'échantillon propre et sec.
2. Ne tenir le flacon d'échantillon que par le bouchon afin d'éviter de laisser des traces de doigt sur le verre.
3. Rincer le flacon avec environ 10 mL d'échantillon, revisser le bouchon noir sur le flacon et inverser le flacon doucement plusieurs fois. Éliminer l'échantillon utilisé et répéter l'opération.
4. Remplir le flacon rincé avec l'échantillon jusqu'à la marque indiquée sur le flacon. Revisser le bouchon noir fourni sur le flacon.
5. Essuyer le flacon avec le chiffon doux non pelucheux fourni. S'assurer que l'extérieur du flacon est bien sec, propre et ne porte pas de traces de doigts.
6. Appliquer un mince film d'huile de silicone (fournie) au flacon d'échantillon (voir l'illustration ci-dessous).
7. Essuyer avec un chiffon doux pour obtenir une distribution uniforme sur toute la surface du flacon. Le but de huiler le flacon est de remplir les petites rayures et de masquer les imperfections du verre. Ne pas appliquer une grande quantité d'huile car cela pourrait attirer les saletés et la poussière.
8. Le flacon d'échantillon est maintenant prêt à être inséré dans le puits d'échantillon pour la mesure.



Ligne de remplissage

Méthode de mesure

1. Éteindre le turbidimètre et le placer sur une surface horizontale plane.
2. Placer le flacon d'échantillon dans le puits d'échantillon et aligner la marque de raccord du flacon avec la marque de raccord du turbidimètre.



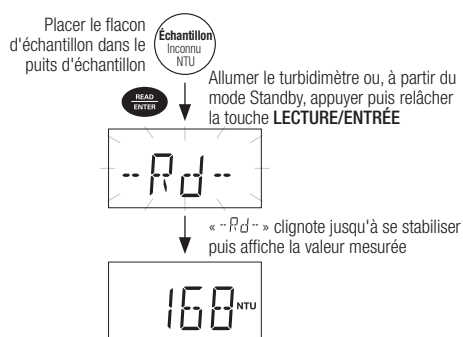
3. Pousser le flacon vers le bas jusqu'à ce qu'il soit bien installé.
4. Placer le pare-lumière sur le flacon inséré dans le puits d'échantillon.
5. Allumer le turbidimètre en appuyant sur la touche **ON/OFF**. Une fois la séquence d'allumage terminée, le turbidimètre se met en mode mesure et affiche « --Pd-- » en clignotant. Le résultat mesuré s'affiche.

* Lorsque le turbidimètre est en mode « *STBY* » après l'étalonnage, il est prêt à effectuer des mesures. Appuyer sur la touche **LECTURE/ENTRÉE**. La mention « --Pd-- » s'affiche en clignotant jusqu'à ce que la mesure s'affiche.

Remarques:

- NE JAMAIS verser de liquide directement dans le puits d'échantillon de l'instrument. Toujours utiliser un flacon d'échantillon. L'instrument ne peut mesurer la turbidité d'un échantillon avec exactitude que si les flacons utilisés sont fermés avec le bouchon noir. Le bouchon noir sert à la fois de joint et de pare-lumière principal.
- NE JAMAIS essayer de nettoyer le puits d'échantillon. Ceci pourrait endommager l'optique.
- Pour conserver la batterie, l'instrument s'éteint automatiquement 20 minutes après la dernière pression sur une touche.

Séquence de mesures



Guide de résolution de problèmes

Le turbidimètre TN-100 effectue des auto-diagnostics de manière routinière et va générer automatiquement des messages pour vous donner des informations spécifiques de diagnostic.

Message	Description	Actions correctives
ERR1	Erreur d'étalonnage. Le turbidimètre ne peut pas reconnaître l'étalon de 800 NTU.	Vérifier ou remplacer l'étalon de 800 NTU.
ERR2	Erreur d'étalonnage. Le turbidimètre ne peut pas reconnaître l'étalon de 100 NTU.	Vérifier ou remplacer l'étalon de 100 NTU.
ERR3	Erreur d'étalonnage. Le turbidimètre ne peut pas reconnaître l'étalon de 20,0 NTU.	Vérifier ou remplacer l'étalon de 20,0 NTU.
ERR4	Erreur d'étalonnage. Le turbidimètre ne peut pas reconnaître l'étalon de 0,02 NTU.	Vérifier ou remplacer l'étalon de 0,02 NTU.
ERR5 ERR6 ERR7	Erreur générale d'étalonnage. Le signal est insuffisant pour obtenir la résolution adéquate.	Répéter l'étalonnage avec les (4) solutions étalons.
ERR8	Trop de lumière parasite détectée.	S'assurer que le flacon est correctement positionné dans le puits d'échantillon. Utiliser le pare-lumière.
ERR9	Panne de la lampe.	Retourner l'instrument.
OR	« Hors plage » ; la valeur est supérieure au maximum de la plage de mesure.	Diluer l'échantillon.
	Indicateur de batterie faible. Les piles doivent être remplacées.	Remplacer les piles.

Entretien de routine et soin de l'instrument

La mallette fournie est conçue de manière optimale pour protéger l'instrument. Si vous n'avez pas l'intention de laisser l'instrument dans la mallette fournie lorsqu'il n'est pas utilisé, assurez-vous que l'instrument est éteint et qu'un flacon d'échantillon propre fermé avec un bouchon noir a été placé dans le puits d'échantillon. Ceci permet de réduire au minimum l'accumulation de poussière ou de débris sur l'optique de l'instrument.

La mesure correcte de la turbidité d'un échantillon nécessite l'utilisation de flacons sans marques, traces de doigts ou rayures et sans développement bactérien. Les flacons d'échantillons doivent être manipulés avec un soin extrême pour éviter toute contamination ou dommage, ce qui changerait les caractéristiques optiques du verre. Les rayures, les traces de doigts et les gouttelettes d'eau sur le flacon d'échantillon ou à l'intérieur du puits d'échantillon peuvent provoquer des interférences de lumière parasite et produire des résultats inexacts.

Le nettoyage du flacon se fait en lavant l'intérieur et l'extérieur du flacon dans une solution contenant un détergent. Une fois nettoyé, le flacon doit être rincé abondamment 8 à 10 fois avec de l'eau distillée propre afin d'éliminer la possibilité d'accumulation de détergent et de formation de traînées.

Les flacons peuvent également être lavés périodiquement à l'acide et recouverts d'une huile de silicone spéciale pour remplir les petites rayures et masquer les imperfections du verre. Puisque l'huile de silicone requise pour cette application doit avoir les mêmes caractéristiques de réfraction que le verre, il est recommandé de vous procurer l'huile chez nous. Il convient de faire attention à ne pas appliquer trop d'huile, ce qui pourrait attirer la saleté ou contaminer le puits d'échantillon du turbidimètre. Une fois que l'huile a été appliquée au flacon, l'excès d'huile doit être éliminé avec un chiffon non pelucheux. Le résultat obtenu doit être une surface de flacon d'échantillon d'apparence sèche, dont les imperfections sont remplies d'huile.

Les flacons d'échantillons doivent toujours être manipulés par le haut ou par le bouchon pour éviter les traces de doigts ou les taches. Une fois qu'un flacon a été rempli avec un échantillon et rebouché, la surface extérieure doit être essuyée avec un chiffon propre, absorbant et non pelucheux jusqu'à ce qu'elle soit sèche. Les flacons propres et séchés doivent être conservés avec le bouchon noir vissé dessus. Les flacons peuvent être conservés dans la mallette. Dans le cadre du fonctionnement normal, vous pouvez utiliser n'importe quel nettoyant pour verre avec un chiffon non pelucheux ou un essuie-tout (Kimwipes®), pour nettoyer l'extérieur des flacons.

De la condensation peut apparaître sur le flacon lorsque votre échantillon est très froid et l'humidité relative de l'air très élevée. Lorsque cela se produit, la turbidité que vous mesurez peut être plus élevée que la turbidité réelle à cause de la lumière dispersée par la condensation sur le flacon. Pour réduire ce problème, recouvrez le flacon d'un agent anti-buée ou faire brièvement couler de l'eau chaude sur le flacon afin de réchauffer l'échantillon avant de le mesurer.

Utilisation prévue, entretien et précautions

Cet instrument est conçu pour mesurer la turbidité de solutions aqueuses. Pour l'entretien de routine, épongez et essuyez l'écran avec un chiffon humide. Si nécessaire, il est possible d'utiliser de l'eau tiède ou un détergent doux dans de l'eau. Éliminer immédiatement toute substance renversée en contact avec le turbidimètre selon la procédure de nettoyage adéquate pour le type de déversement.

- Ne pas utiliser cet équipement dans une atmosphère potentiellement explosive.
- S'assurer qu'aucun liquide ne pénètre dans l'instrument.
- Ne pas utiliser de produits chimiques de nettoyage agressifs (solvants ou agents similaires).
- Aucune pièce interne de l'instrument ne doit être entretenue par l'utilisateur. Toute tentative d'entretenir des pièces internes peut entraîner l'annulation de la garantie.

• **AVERTISSEMENT:** Aucune modification de cet instrument n'est autorisée.

Conditions de fonctionnement de l'instrument

Température ambiante de fonctionnement	0 à 50 °C
Humidité relative de fonctionnement	0 à 90 %, sans condensation à 30 °C
Température de conservation	-20 à +60 °C (instrument uniquement)
Humidité relative de conservation	0 à 90 %, sans condensation à 30 °C
Pollution	Degré 2
Surtension	Catégorie II
Poids	200 g
Taille (P x L x H)	15,5 x 6,8 x 4,6 cm
Piles requises	4 piles AAA (LR03) 1,5 V
Vibrations	Expédition/manipulation selon les normes ISTA #1A
Choc	Épreuve de chute dans l'emballage selon la norme ISTA #1A
Certifications/Conformité	FCC section 15 classe A, TUV 3 en 1, EC, RoHS

Informations pour passer commande

ECTN100IR	Turbidimètre TN-100 étanche portatif avec ensemble de 4 étalons (800, 100, 20,0 et 0,02 NTU), flacons d'échantillons, chiffon non pelucheux, huile de silicone, piles et mallette rigide
ECTN100NOSTDS	Turbidimètre TN-100 étanche portatif, flacons d'échantillons, chiffon non pelucheux, huile de silicone, piles et mallette rigide
TN100CALKIT	Kit d'étalonnage - solutions étalons (0,02; 20,0; 100; 800 NTU), 60 mL chacune et (4) flacons
ECTN100CUVKT	Pack de 3 flacons d'échantillons
ECTN100CUVKT4	Pack de 4 flacons d'échantillons
HUILE DE SILICONE CE	Huile de silicone (10 mL)
32X366401	Pare-lumière de remplacement
67X357201	Chiffon de remplacement

Thermo Fisher Scientific
Eutech Instruments Pte Ltd
Blk 55, Ayer Rajah Crescent,
#04-16/24, Singapore 139949
Tel: (65) 6778-6876
eutech@thermofisher.com
www.eutechinst.com

Thermo
SCIENTIFIC

A Thermo Fisher Scientific Brand



TN-100 Trübungsmessgerät

Erste Schritte

Dieses Gerät nutzt das nephelometrische Prinzip der Trübungsmessung und ist so konstruiert, dass es die Kriterien der Normen ISO 7027 und DIN 27027 erfüllt. Entfernen Sie mit einem Schraubendreher die Schrauben von der Batteriefachabdeckung und setzen Sie die (4) AAA-Batterien ein (im Lieferumfang enthalten). Ziehen Sie die Schrauben fest, um eine wasserfeste Abdichtung des Batteriefachs zu erhalten.



Funktionen des Tastenfelds

	Zum Ein- und Ausschalten des Messgeräts. Das Messgerät schaltet sich 20 Minuten nach dem letzten Tastendruck automatisch aus.
	Zum Wechseln in den Kalibriermodus. Drücken dieser Taste während der Kalibrierung beendet den Kalibriermodus und startet den "STBY"-Standby-Modus.
	Im Messmodus wird mit der Taste READ/ENTER eine Messung durchgeführt. Einzelmessungen: Wird die Taste gedrückt und sofort wieder losgelassen (in weniger als 0,3 Sekunden) blinkt auf der Anzeige 10-mal "--Pd--", dann wird der gemessene Wert angezeigt. Kontinuierliche Messungen: Wird die Taste READ/ENTER gedrückt und festgehalten, führt das Gerät eine kontinuierliche Messung durch, bei der die Anzeige alle 2 Sekunden aktualisiert wird. Diese Funktion kann zur Indizierung von Röhrchen verwendet werden. (Im Kalibriermodus ist diese Funktion nicht verfügbar). Nach dem Loslassen der READ/ENTER-Taste führt das Gerät automatisch eine Einzelmessung durch.
	Im Kalibriermodus werden mit diesen Tasten die Kalibrierpunkte schrittweise aufsteigend/absteigend ausgewählt. Hinweis: Dieses Gerät arbeitet mit einer automatischen Inkrementierungsfunktion. Nach der Kalibrierung an einem Punkt wird automatisch der nächste ausgewählt. Nach dem vierten Kalibrierpunkt wird der Kalibriermodus automatisch beendet. Siehe auch "Wiederherstellung der werkseitigen Kalibrierung".

Trübungskalibrierung

Das TN-100 wurde vor der Auslieferung aus dem Werk kalibriert und getestet. Das TN-100-Kit enthält (4) primäre Standards (0,02, 20,0 100 und 800 NTU), mit denen nach Bedarf die Kalibrierung des Messgeräts überprüft oder das Messgerät erneut kalibriert werden kann. Führen Sie, bevor Sie zum ersten Mal Proben messen, eine Kalibrierung des Messgeräts mit den primären Standards durch. Im Lieferumfang sind vier Röhrchen mit Standards enthalten, die mit der Konzentration des jeweiligen Standards beschriftet sind: 800 NTU (CAL 1), 100 NTU (CAL 2), 20,0 NTU (CAL 3), 0,02 NTU (CAL 4).

Setzen Sie die Lichtschutzabdeckung auf das Röhrchen, um zu verhindern, dass Streulicht die Kalibrierung und die Probenmessung

verfälscht. In vielen Umgebungen ist der Lichtschutz nicht erforderlich, da der Röhrchendeckel ausreicht, um Licht am Eintreten in die Probenvertiefung zu hindern.

Aufgrund der hohen Qualität der Glasröhrchen ist eine Indizierung nicht erforderlich. Richten Sie einfach die Markierung (Pfeil) am Röhrchen mit der Markierung am Messgerät aus.

Hinweis: Schütteln Sie die Kalibrierstandards nicht, da der Einschluss von Luft zu Messfehlern führt. Frieren Sie die Kalibrierstandards nicht ein, da dies die Standards dauerhaft schädigt und ungenau macht.

Kalibriervorgang

Vorbereitung der Röhrchen mit den Kalibrierstandards

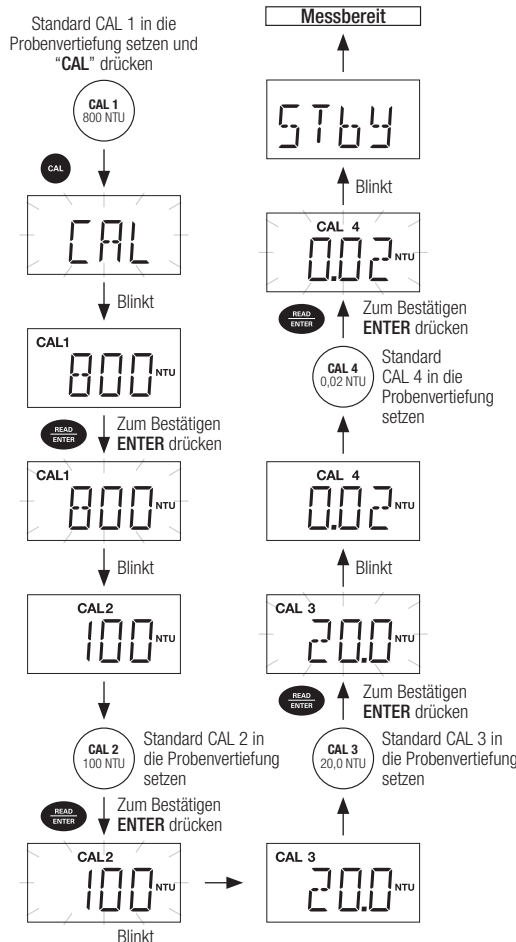
Vergewissern Sie sich, dass sich keine Kratzer oder Schrammen am Glasröhrchen befinden. Wenn sich Schrammen am Röhrchen befinden, welche die Trübungsmessung beeinträchtigen könnten, nehmen Sie ein anderes Röhrchen. Bevor Sie die Standards zum ersten Mal verwenden, spülen Sie die Innenseite des Röhrchens mit einer kleinen Menge desselben NTU-Standards, mit dem das Röhrchen gefüllt werden soll.

1. Füllen Sie vorsichtig etwa 5 ml von den 60 ml der Standard-Vorratslösung in das Röhrchen.
2. Verschließen Sie das Röhrchen und schwenken Sie es so, dass die Innenseite komplett mit dem Standard gespült wird.
3. Gießen Sie den Standard aus dem Röhrchen und werfen Sie ihn.
4. Wiederholen Sie die Schritte 1 bis 3.
5. Füllen Sie unter Verwendung der oben genannten 60 ml Standard-Vorratslösung das Röhrchen vorsichtig bis über die Fülllinie und verschließen Sie es.
6. Wiederholen Sie den Spül- und Füllvorgang mit den anderen drei Röhrchen.

Hinweis: Das Spülen des Röhrchens ist bei den Standards mit niedrigen NTU-Werten besonders wichtig für die Präzision.

Verwenden Sie diese Kalibrierstandards täglich zur Überprüfung und zur regelmäßigen Kalibrierung nach Bedarf. Unterscheidet sich der abgelesene Messwert beim 20,0-, 100- oder 800-NTU Standard um mehr als 10 % vom erwarteten Wert, sollte die Lösung durch ein anderes Aliquot aus der Kunststoffflasche ersetzt und die oben beschriebenen Schritte erneut durchgeführt werden. **Hinweis:** Der zurückgelesene Wert des 0,02-NTU-Standards sollte < 0,1 NTU betragen.

Kalibriersequenz



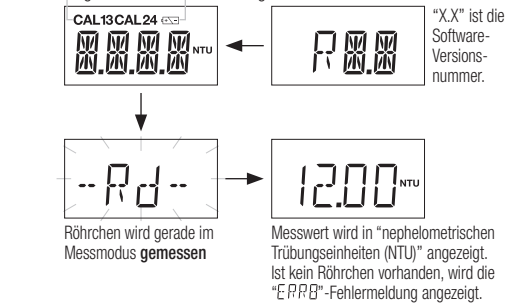
Wiederherstellung der werkseitigen Kalibrierung

1. Drücken Sie bei ausgeschaltetem Messgerät die ▲-Taste und halten Sie sie gedrückt.
2. Schalten Sie das Messgerät mit der Taste ON/OFF (Ein/Aus) ein. Lassen Sie die ▲-Taste los, wenn auf der Anzeige "URS" (Benutzer-Reset) erscheint.
3. Die Anzeige zeigt etwa 2 Sekunden lang "URS" und anschließend "No".
4. Wählen Sie mit der ▲- oder der ▼-Taste "YES" oder "No" aus.
YES = Zurücksetzen des Messgeräts auf die werkseitigen Kalibrierwerte
No = Beibehalten der letzten Kalibrierwerte
5. Drücken Sie zur Bestätigung die Taste READ/ENTER (Ablesen/Eingabe). Bei Auswahl von "YES" wird das Messgerät zurückgesetzt. Dabei wird "--Pd--" angezeigt, um darauf hinzuweisen, dass eine Ablesung im Messmodus erfolgt.

Trübungsmessung

Vor dem Einschalten des Röhrchens mit Probe oder Kalibrierungsstandard einsetzen Alternativ dazu im "STBY"-Modus READ/ENTER drücken

Kalibrierungsstandards Batterieanzeige

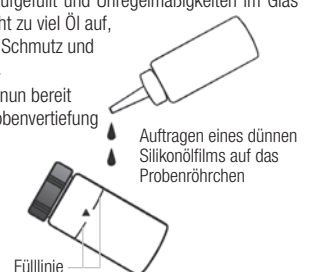


Trübungsmessung

Gute Methoden sind eine entscheidende Voraussetzung für exakte Trübungsmessungen. Die besten Ergebnisse erhalten Sie, wenn Sie saubere Probenröhrchen verwenden, die Röhrchen korrekt in der Probenvertiefung positionieren, das Röhrchen mit dem Lichtschutz abdecken, die Standards richtig handhaben, die Röhrchen mit dem mitgelieferten Tuch sauber und frei von Kratzern halten und das Messgerät nach Bedarf kalibrieren.

Vorbereitung des Probenröhrchens

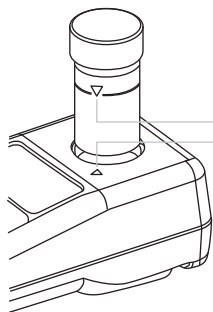
1. Nehmen Sie ein sauberes, trockenes Probenröhrchen.
2. Fassen Sie das Probenröhrchen nur am Deckel an, um Fingerabdrücke auf dem Glas zu vermeiden.
3. Spülen Sie das Röhrchen mit etwa 10 ml der Probe, indem Sie es mit dem schwarzen Schraubdeckel verschließen und vorsichtig einige Male umschwenken. Werfen Sie die Probe und wiederholen Sie den Spülschritt.
4. Füllen Sie das gespülte Röhrchen bis zu der am Röhrchen angebrachten Markierung mit der Probe. Verschließen Sie das Röhrchen mit dem mitgelieferten schwarzen Schraubdeckel.
5. Wischen Sie das Röhrchen mit dem mitgelieferten weichen, fusselfreien Tuch ab. Achten Sie darauf, dass die Außenseite des Röhrchens trocken, sauber und fleckenfrei ist.
6. Tragen Sie einen dünnen Film Silikonöl (mitgeliefert) auf das Probenröhrchen auf (siehe nachstehendes Bild).
7. Verteilen Sie das Öl mit einem weichen Tuch gleichmäßig über die gesamte Röhrchenoberfläche. Durch das Einölen des Röhrchens werden kleine Kratzer aufgefüllt und Unregelmäßigkeiten im Glas maskiert. Tragen Sie nicht zu viel Öl auf, andernfalls können sich Schmutz und Staub darin ansammeln.
8. Das Probenröhrchen ist nun bereit zum Einführen in die Probenvertiefung und zur Messung.



Thermo Scientific™ Eutech™ Bedienungsanleitung für das wasserdichte Trübungsmessgerät TN-100

Messvorgang

1. Schalten Sie das Messgerät aus und legen Sie es auf eine ebene, horizontale Fläche.
2. Setzen Sie das Probenröhrchen in die Probenvertiefung und richten Sie die Röhrchenmarkierung mit der Markierung des Messgeräts aus.



Richten Sie die Markierung am Röhrchen mit der Markierung am Trübungsmessgerät aus

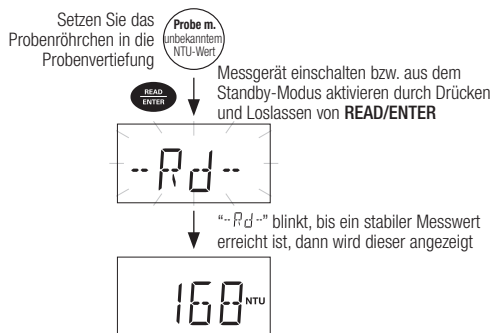
3. Drücken Sie das Röhrchen hinein, bis es einrastet.
4. Setzen Sie die Lichtschutzabdeckung auf das in die Probenvertiefung eingesetzte Röhrchen.
5. Schalten Sie das Messgerät ein, indem Sie die Taste **ON/OFF** drücken. Nach dem Hochfahren geht das Messgerät in den Messmodus und auf der Anzeige blinkt "--Rd--". Auf der Anzeige erscheint der gemessene Wert.

* Befindet sich das Messgerät nach der Kalibrierung im Modus "STBY", ist es zur Messung bereit. Drücken Sie die Taste **READ/ENTER**. Auf der Anzeige blinkt "--Rd--", bis der gemessene Wert erscheint.

Hinweise:

- Geben Sie **KEINESFALLS** Flüssigkeit direkt in die Probenvertiefung des Messgeräts. Verwenden Sie stets ein Röhrchen. Das Gerät misst die Trübung einer Probe nur dann genau, wenn Röhrchen verwendet werden, die mit dem schwarzen Deckel verschlossen sind. Der schwarze Deckel dient sowohl als Verschluss wie auch als hauptsächlichlicher Lichtschutz.
- Versuchen Sie **KEINESFALLS**, die Probenvertiefung zu reinigen. Dies kann zur Beschädigung der Optik führen.
- Um die Batterien zu schonen, schaltet sich das Gerät 20 Minuten nach dem letzten Tastendruck automatisch ab.

Messesequenz



Anleitung zur Fehlersuche

Das Trübungsmessgerät TN-100 führt routinemäßig eine Selbstdiagnose durch und generiert automatisch Meldungen mit speziellen Diagnoseinformationen.

Meldung	Bezeichnung	Abhilfemaßnahmen
ERR1	Kalibrierfehler. Das Messgerät erkennt den 800-NTU-Kalibrierstandard nicht.	Überprüfen Sie den 800-NTU-Kalibrierstandard.
ERR2	Kalibrierfehler. Das Messgerät erkennt den 100-NTU-Kalibrierstandard nicht.	Überprüfen Sie den 100-NTU-Kalibrierstandard.
ERR3	Kalibrierfehler. Das Messgerät erkennt den 20,0-NTU-Kalibrierstandard nicht.	Überprüfen Sie den 20,0-NTU-Kalibrierstandard.
ERR4	Kalibrierfehler. Das Messgerät erkennt den 0,02-NTU-Kalibrierstandard nicht.	Überprüfen Sie den 0,02-NTU-Kalibrierstandard.
ERR5 ERR6 ERR7	Allgemeiner Kalibrierfehler. Das Signal ist nicht stark genug, um die erforderliche Auflösung zu erreichen.	Führen Sie eine erneute Kalibrierung mit allen (4) Standards durch.
ERR8	Übermäßiges Streulicht detektiert.	Stellen Sie sicher, dass das Röhrchen richtig in der Probenvertiefung sitzt. Verwenden Sie die Lichtschutzabdeckung.
ERR9	Lampenfehler.	Gerät zur Reparatur zurücksenden.
OR	"Bereichsüberschreitung"; der Messwert liegt oberhalb der oberen Messbereichsgrenze.	Verdünnen Sie die Probe.
+	Niedrige Batterieanzeige. Die Batterien müssen ersetzt werden.	Ersetzen Sie die Batterien.

Routinewartung und -pflege

Der mitgelieferte Koffer ist optimal zum Schutz des Geräts geeignet. Wenn Sie das Messgerät bei Nichtgebrauch nicht im mitgelieferten Koffer aufbewahren möchten, achten Sie darauf, dass das Gerät ausgeschaltet ist und dass sich ein sauberes Probenröhrchen mit schwarzem Deckel in der Probenvertiefung befindet. So lässt sich die Menge an Staub oder Schmutz, die sich auf der Optik des Geräts absetzt, auf ein Minimum begrenzen.

Damit die Trübung einer Probe korrekt bestimmt werden kann, muss ein Röhrchen verwendet werden, das frei von Schrammen, Flecken, Kratzern und Bakterien ist. Probenröhrchen müssen mit äußerster Vorsicht behandelt werden, um Kontaminationen und Beschädigungen zu vermeiden, welche die optischen Eigenschaften des Glases verändern könnten. Kratzer, Fingerabdrücke und Wassertropfen auf dem Probenröhrchen oder im Inneren der Probenvertiefung können zu Störungen durch Streulicht führen und so ungenaue Messungen verursachen.

Die Reinigung der Röhrchen erfolgt durch Abwaschen ihrer Innen- und der Außenseite mit einer Reinigungslösung. Nach dem Reinigen sollten die Röhrchen 8- bis 10-mal gründlich mit sauberem destillierten Wasser gespült werden. So kann einer möglichen Ablagerung von Reinigungsmittel und der Streifenbildung vorgebeugt werden.

Röhrchen können auch regelmäßig mit Säure gereinigt und mit einem speziellen Silikonöl beschichtet werden, um kleine Kratzer aufzufüllen und Unregelmäßigkeiten im Glas zu maskieren. Da das zur Beschichtung erforderliche Öl dieselben Brechungseigenschaften wie Glas haben sollte, empfehlen wir, das von uns bezogene Öl zu verwenden. Es sollte jedoch nicht zu viel Öl aufgetragen werden, da überschüssiges Öl Schmutz anziehen oder die Probenvertiefung des Messgeräts verunreinigen könnte. Überschüssiges Öl sollte nach dem Auftragen mit einem fusselfreien Tuch entfernt werden. Das Ergebnis sollte eine Röhrchenoberfläche sein, die trocken wirkt, wobei aber alle Unregelmäßigkeiten mit Öl gefüllt sind.

Probenröhrchen sollten stets oben oder am Deckel angefasst werden, um Fingerabdrücke oder Flecken zu vermeiden. Nachdem ein Röhrchen mit einer Probe gefüllt und verschlossen wurde, sollte seine Außenseite mit einem sauberen, fusselfreien, saugfähigen Tuch abgewischt werden, bis sie trocken ist. Gereinigte und getrocknete Röhrchen sollten mit dem schwarzen Deckel verschlossen aufbewahrt werden. Die Röhrchen können im Koffer gelagert werden. Während des normalen Betriebs können Sie einen handelsüblichen Glasreiniger zusammen mit einem fusselfreien Tuch oder Papiertuch verwenden, um die Außenseite der Röhrchen zu reinigen.

Wenn die Probe sehr kalt und die Luftfeuchte hoch ist, kann sich am Röhrchen Feuchtigkeit niederschlagen. In diesem Fall kann der abgelesene Trübungswert infolge der Lichtstreuung durch das Kondensat am Röhrchen höher sein als die tatsächliche Trübung. Um dieses Problem zu beseitigen, beschichten Sie das Röhrchen mit einem Antibeschlagmittel oder lassen Sie für kurze Zeit warmes Wasser über das Röhrchen laufen, um die Probe vor der Messung zu erwärmen.

Verwendungszweck, Wartung und Vorsichtsmaßnahmen

Dieses Gerät ist für die Trübungsmessung an wässrigen Lösungen konzipiert. Zur Routinepflege der Anzeige wischen Sie Staub oder Schmutz mit einem feuchten Tuch ab. Falls erforderlich, kann auch warmes Wasser oder ein mildes Reinigungsmittel auf Wasserbasis verwendet werden. Verschüttete Flüssigkeit muss sofort vom Messgerät entfernt werden. Dabei ist eine für die Art der Verschmutzung geeignete Reinigungsmethode zu verwenden.

- Verwenden Sie dieses Gerät nicht in explosionsgefährdeten Bereichen.
- Achten Sie darauf, dass keine Flüssigkeit ins Gerät eindringt.
- Verwenden Sie keine aggressiven Reinigungsmittel (Lösungsmittel o. ä.).
- Im Inneren befinden sich keine vom Bediener zu wartenden Teile. Versuche, Teile im Inneren des Geräts zu warten, können zum Erlöschen der Garantie führen.
- **WARNUNG:** Eine Modifikation dieses Geräts ist nicht zulässig.

Betriebsbedingungen	
Umgebungstemp. bei Betrieb	0 bis 50 °C
Relative Luftfeuchte bei Betrieb	0 bis 90 %, nichtkondensierend, bei 30 °C
Lagertemp.	-20 bis +60 °C (nur Gerät)
Relative Luftfeuchte bei Lagerung	0 bis 90 %, nichtkondensierend, bei 30 °C
Verschmutzung	Grad 2
Überspannung	Kategorie II
Gewicht	200 g
Abmessungen (L x B x H)	15,5 x 6,8 x 4,6 cm
Erforderliche Batterien	4 x AAA (LR03) 1,5-V-Batterien
Vibrationen	Versand/Handhabung gemäß ISTA #1A
Stoß	Fallprüfung in der Verpackung gemäß ISTA #1A
Zertifikationen/Konformität	FCC Teil 15 Klasse A, TÜV 3 in 1, CE, RoHS

Bestellinformationen	
ECTN100IR	Wasserfestes tragbares Trübungsmessgerät TN-100 mit einem Satz von 4 Kalibrierstandards (800, 100, 20,0 und 0,02 NTU), Probenröhrchen, fusselfreies Tuch, Silikonöl, Batterien und harter Koffer
ECTN100NOSTDS	Wasserfestes tragbares Trübungsmessgerät TN-100, Probenröhrchen, fusselfreies Tuch, Silikonöl, Batterien und harter Koffer
TN100CALKIT	Kalibrierkit – Standardlösungen (0,02, 20,0, 100, 800 NTU), 60 ml und (4) Röhrchen
ECTN100CUVKT	Packung von 3 Probenröhrchen
ECTN100CUVKIT4	Packung von 4 Probenröhrchen
ECSILICONEOIL	Silikonöl (10 ml)
32X366401	Ersatz-Lichtschutzabdeckung
67X357201	Ersatz-Tuch

ESIS Industrial Electronics

www.esis.com.au
Ph 02 9481 7420
Fax 02 9481 7267
esis.enq@esis.com.au

Thermo Fisher Scientific
Eutech Instruments Pte Ltd
Blk 55, Ayer Rajah Crescent,
#04-16/24, Singapore 139949
Tel: (65) 6778-6876
eutech@thermofisher.com
www.eutechinst.com

Thermo
SCIENTIFIC

A Thermo Fisher Scientific Brand