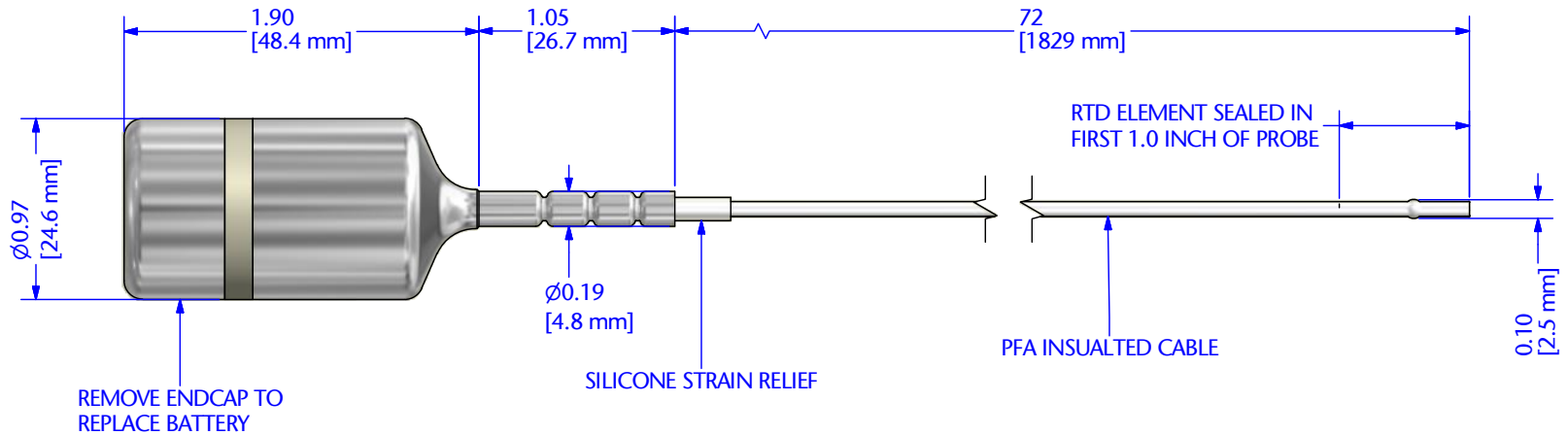


HiTemp140-FP

High Temperature Data Logger
Dimension Drawing



 ESIS Industrial Electronics	www.esis.com.au
	Ph 02 9481 7420 Fax 02 9481 7267 esis.enq@esis.com.au



Product:

HiTemp140-F

Scale:

1:1

Materials:

AISI 316 SS
PEEK
PFA

Notes:

Rev. 1.0