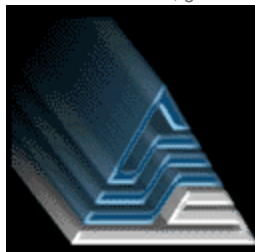


ESIS Pty Ltd
 Ph 02 9481 7420
 www.esis.com.au

Top quality temperature measurement solutions for medical, HVAC, military, consumer electronics, and appliance applications. Thermistors, RTDs, glass-encapsulated probes and custom designed solutions. Superior design and service support.

- Interchangeable Series
- Point-Matched Series
- Glass Series
- Insulated Lead Series
- Medical Series
- Mini Series
- Micro Series
- Customer Configured Probe Series
- HVAC Thermistor Series
- HVAC RTD Series



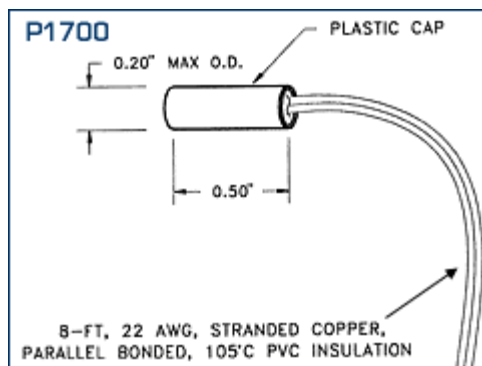
ALPHA SENSORS

P1700 Standard Sensor

FEATURES

- | Proprietary thermistor technology
- | Nearly 20 years of experience
- | Six industry standard values
- | Seven styles to select from
- | Custom configurations available

- Contact Us
- Products
- Configured Thermistor



DESCRIPTION

The Alpha HVAC Thermistor Series is a complete line of sensors designed specifically for Building Automation and HVAC Control Systems. The P1700 Temperature Sensors utilize Alpha Thermistor's technology to provide rugged and precise sensors for all your applications.

THERMISTOR TYPES

The HVAC Industry has standardized on two thermistor types, referred to as Type II and Type III. The directly compatible Alpha curves are Type A and Type C respectively. Alpha also manufactures a variety of thermistor materials, providing unique resistance/temperature curves for various applications.

Full specifications on these materials as well as their resistance/temperature curves are available in our general product catalog. Also in our general product catalog is information on our standard thermistor elements and information on a variety of custom options. Our quick turnaround on custom sensors allows you to order exactly what you want rather than settle for what is available.

HOME

P1700 Standard Sensor

PART #	DESCRIPTION	R/T CURVE	LEAD COLOR CODE	MATERIAL TYPE
--------	-------------	-----------	-----------------	---------------

P1701	2,252 Ohm @ 25°C	A	Green Leads	TYPE II
P1702	3,000 Ohm @ 25°C	A	Blue Leads	TYPE II
P1703	10,000 Ohm @ 25°C	A	Yellow Leads	TYPE II
P1704	100,000 Ohm @ 25°C	A	Gray Leads	TYPE II
P1705	10,000 Ohm @ 25°C	C	Gray Leads	TYPE III
P1706	20,000 Ohm @ 25°C	De	Black Leads	TYPE 42 (Honeywell)

* Consult the factory for custom sensors.

PRODUCT SELECTION

[P1700 - Standard Sensor](#)

[P1710 - Standard Sensor, Moisture](#)

[Protected](#)

[P1720 - Strap On Sensor](#)

[P1730 - Duct Sensor](#)

[P1740 - Room Sensor, Surface Mount](#)

[P1750 - Outdoor Air Sensor](#)

[P1760 - Averaging Duct Sensor](#)

[P1770 - Immersion Sensor](#)

[Home](#) | [About Alpha](#) | [Contact Us](#) | [What's New](#) | [Products](#)
[Technical Notes](#) | [Configured Thermistor](#) | [FAQ](#) | [Application Notes](#)



© 1998 Alpha Sensors

	www.esis.com.au
	Ph 02 9481 7420 Fax 02 9481 7267 esis.enq@esis.com.au