

# TBOX-11410

*Industrial Intel Apollo lake J3455 fan-less Box PC*

## Specification

V2.0

### Brief Introduction

CyberVisuell TBOX-11410 is an ultra-small fan-less industrial Box PC model, it adapts Intel Apollo lake J3455 CPU, having advanced computer performance and low power consumption. TBOX-11410 storage can support 1 \*mSATA SSD or HDD; The design has a limited communication interface, with 2\* LAN ports, 4\* USB ports; The power input is DC 12V voltage, and has over-current, over-voltage and reverse-polarity protection.

CyberVisuell TBOX-11410 uses full-sealed box construction, and it can prevent dust from entering the device system. Large aluminum fin heat sink can distribute the heat effectively and quickly, ensures the longer reliability and life-span of the system. CyberVisuell TBOX-11410 operating temp. is  $-20^{\circ}\text{C}\sim+60^{\circ}\text{C}$ , can be suitable for longer-time operating and harsh environment industrial application projects, such as intelligent transportation system, machine vision, medical device, textile machinery, rail transportation and industry automation. CyberVisuell TBOX-11410 can be compatible with Windows10, Linux Operating system and embedded Operating system, and it is also compatible with application software based on those operating systems.

### Product Image



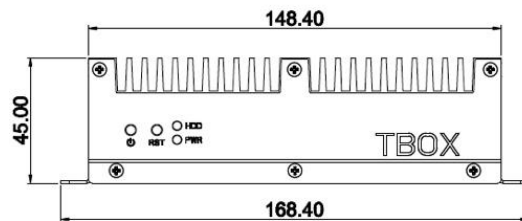
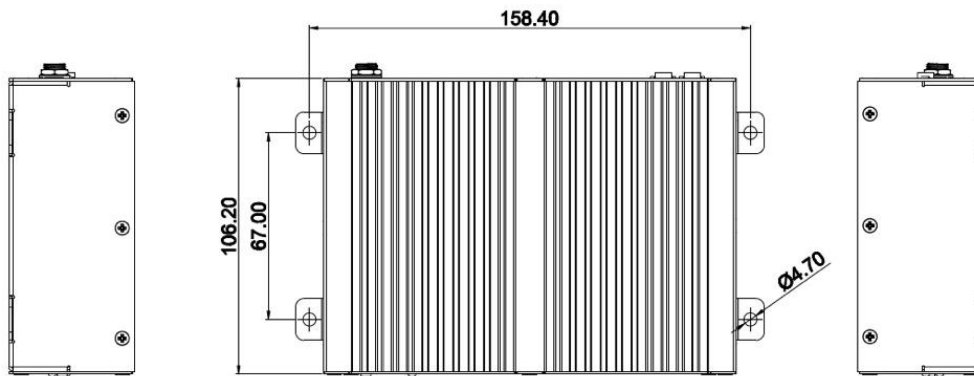
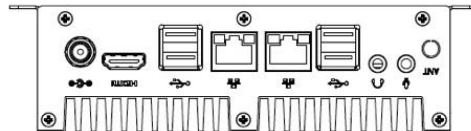
## Specification parameter

<b>Product model</b>	<b>TBOX-11410</b>
<b>System &amp; Hardware</b>	
BIOS	SPI AMI EFI BIOS
CPU	Intel Apollo lake J3455
CPU GHz	Quad-core Four threads, 1.5Ghz
Memory	SO-DIMM, DDR3L-1866MT/S, Max. up to 8GB
Storage	1* 2.5" SATA + 1* mSATA
GPU	Intel HD Graphics 500
Network	2* Intel I211AT (Optional Wifi/3G/4G)
Audio	Realtek ACL 269 Audio controller
Expansion	1x full-size mPCIe slot
Watch dog	0~255 seconds programmable
System	Windows10, Linux, Unix
<b>I/O</b>	
COM	No COM ports
Network	2*RJ45, 10/100/1000 Mbps
Audio	Line-In, Line-Out
USB	4*USB3.0
Display	1*HDMI
Power Input	DC 5.5*2.5
<b>Structure</b>	
Box Structure and surface	Aluminum alloy, anodizing and anti-scratch treatment
Cooling System	Finned aluminum heatsinks
Color	Black
Indicator	Power Switch/ Power LED/ HDD LED
Mounting	Support Desktop, Wall-mounted,
Dimension	168.4 x 106.2 x 45 (mm)
Net weight	About 1.3KG
<b>Power &amp; Environmental</b>	
Voltage Input	DC 12V (Over-current, Over-voltage and reverse polarity protection)
Power Consumption	20W
EMC	CE/FCC Class A
Working temperature	-20°C~+60 °C
Storage temperature	-30°C~+70 °C

**TBOX-11410 Specs**

Relative humidity	10~95%@10°C (No condensation)
Vibration	50~500Hz,1.5G,0.15mm peak to peak
Shock	10G/peak (11ms sec)

**Interface and Dimension**



## Ordering Information

TBOX-11410	Intel Celeron J3455/1*HDMI/2*RJ45/4*USB/DC 12V/Line In/Line-Out
TBOX-11420	Intel Celeron J3355/1*HDMI/2*RJ45/4*USB/DC 12V/Line In/Line-Out
Memory	DDR3L 2G/4G/8G
Storage	SSD: 16GB/32GB/64GB/128GB/256GB/512GB/1TB HDD: 500GB/1TB
Wireless module	Wifi: 802.11b/g/n Mini PCIe 150M 3G/4G: All network 4G module



## CyberVisuell Industrielle Technologie

*CyberVisuell, is a leading global **solution provider** of industrial technology including Embedded Box PC, Touch panel PC, industrial monitors, power instrumentation, and M2M comms equipment. CyberVisuell products are designed specifically for systems and applications that require excellent performance, high-level reliability and stability, and long product lifecycles.*

*The information in this specification is subject to change without notice*

*All parts of CyberVisuell Industrielle Technologie documentation are protected by copyright law and all rights are reserved. This documentation may not, in whole or in part, be copied, photocopied, reproduced, translated, or reduced to any electronic medium or machine-readable form without prior consent, in writing, from CyberVisuell Industrielle Technologie.*