



## SALIENT FEATURES

- 16 x 2 text display with multicolor LED backlight
- 18 keys (6 Function Keys)
- One USB programming port
- 24 VDC Power Supply
- DC inputs, DC Outputs
- Analog Inputs (Voltage, Current)
- Analog Output (Voltage, Current)
- Support for High Speed Counters (Up-to 200 KHz)
- High Speed Pulse Output up-to 1 KHz
- IEC61131-3 Programming environment
- CE, UL Class I Div 2, RoHS

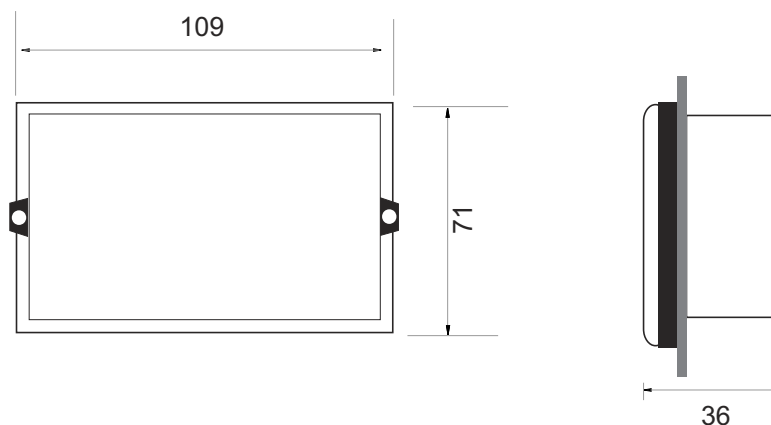
## MODEL COMPARISON

Models	FP2020-L0808RP-A0401L	FP2020-L0808P-A0401L	FP2020-L0604P-A0401L
Display	16 X 2 Text Display		
Backlight	LED Backlight		
CPU	32-bit RISC processor		
Memory	Up to 512KB		
Screen Memory	Up to 180KB		
Retentive Memory	1400 Words*		
USB Device	One USB programming port for upload/download and monitoring		
Power Supply	Power 24VDC (-15% to +20%)		
DC Inputs	8 (Sinking)	8 (Sinking)	6 (Sinking)
High Speed Inputs	2, 32-bit, 200KHz	2, 32-bit, 200KHz	2, 32-bit, 200KHz
DC Outputs	6 Relay 2 PNP	8 PNP	4 PNP
High Speed Pulse Outputs	2, Up-to 1KHz		
Analog Inputs	2 Voltage I/Ps (16 bit), 0 to 10 VDC, 0 to 5 VDC		
	2 Current I/Ps (16 bit), 0 to 20 mA, 4 to 20 mA		
Analog Outputs	1 Voltage / Current O/P (12 bit)		
	0 to 20mA, 4 to 20 mA, 0 to 10 VDC		
Operating Temperature	0 to 50 °C		
Storage Temperature	-20 to 80 °C		
Humidity	10 to 95% non condensing		
Mounting	Front Panel Mounting, IP66 rated		
Approvals	CE, UL (Class I Div 2)		
Bezel Dimensions	109mm x 71mm (Drawing A)		
Panel Cutout	99.5mm x 62.5mm (Drawing A)		

\* Built-in EEPROM is used. The write cycle is 30,000.

## DIMENSIONS

Drawing A



All dimensions are in mm.

Please contact factory for more information. We welcome an opportunity to develop new, custom drivers and customized units.



**www.esis.com.au**  
 Ph 02 9481 7420  
 Fax 02 9481 7267  
 esis.enq@esis.com.au

**FACTORY**  
 No. 1163, Ghotawade,  
 Mulshi, Pune - 412115, India.  
 +91 20 6687 2900

#### REGIONAL OFFICES

- Ahmedabad
- Bangalore
- Chennai
- Coimbatore
- Hyderabad
- Mumbai
- New Delhi

#### OVERSEAS DISTRIBUTORS

- USA
- Europe
- Asia Pacific

(Preliminary Datasheet. Specifications subject to change without prior notice. DS-FP2-Series-HMI-With-IO-Rev.F)