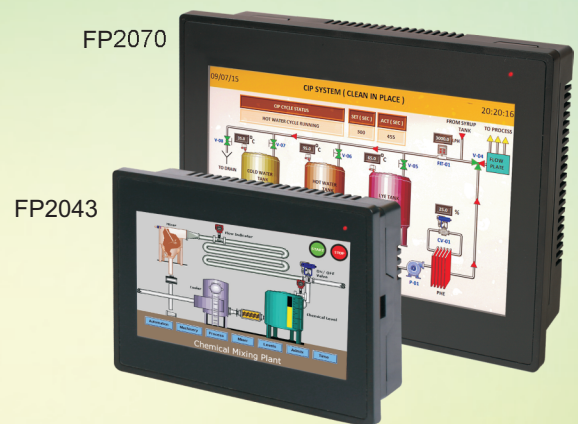


FlexiPanels® Basic HMI

SALIENT FEATURES

- 4.3" and 7" TFT display options
- Suitable for basic applications, trending, tasks, alarms, logging, IEC 61131-3 programming environment, native ladder logic support
- Flash: 16MB, RAM: 16MB
- Approvals: CE, UL Class I Div 2, IP65

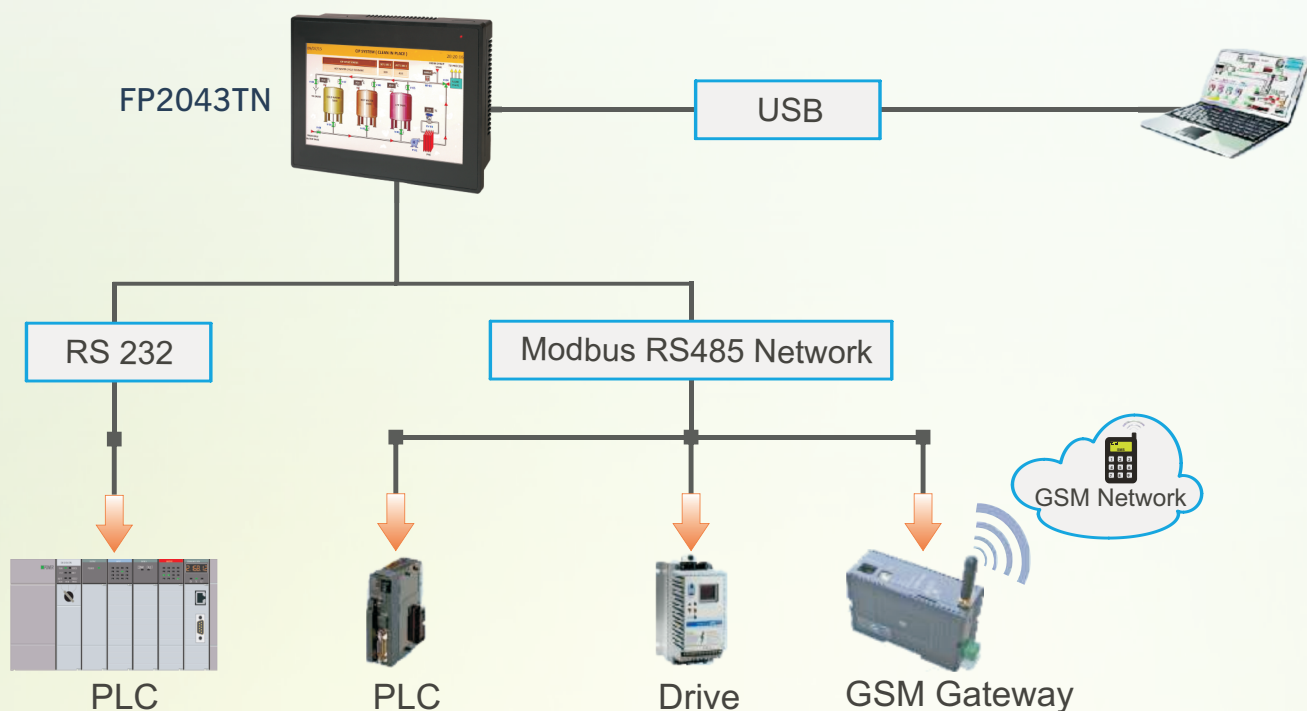


MODEL COMPARISON

| Model | FP2043 Series | | FP2070 Series | |
|------------------------------------|---|----------------|-------------------|----------------|
| Part Number | FP2043T | FP2043TN | FP2070T | FP2070TN |
| Display | | | | |
| Size | 4.3" WQVGA Color TFT | | 7" WVGA Color TFT | |
| Resolution | 480 x 272 | | 800 x 480 | |
| Touch Screen | Analog Resistive | | | |
| CPU and Power | | | | |
| CPU | 32-bit RISC processor | | | |
| Flash | 16MB | | | |
| RAM | 16MB | | | |
| Power Supply | 24 VDC (±15%) | | | |
| Isolation | Yes | | | |
| RTC | Built-in | | | |
| Communication | | | | |
| Serial | 2x RS232 / RS485 # | | 2x RS232 / RS485 | |
| USB Device | 1x micro 2.0 | | | |
| Ethernet | NA | 1x 10/100 Mbps | NA | 1x 10/100 Mbps |
| Environment & Approvals | | | | |
| Operating Temperature | 0~50°C | | | |
| Storage Temperature | -20~85°C | | | |
| Humidity | 10~95% non condensing | | | |
| Shock | 25g, 11ms, 6 shocks per axis, Total 18 shocks (X, Y, Z) | | | |
| Vibration | 5~150 Hz, 3g peak, (X, Y, Z) | | | |
| Protection | IP65 for front panel mounting | | | |
| Approvals | CE, UL Class I Div 2 | | | |

FP2043 support One DB9 port that supports RS232 and RS485 levels on different pins. "Y" type cable can be used for separate RS232 and RS485 levels simultaneously.

APPLICATION EXAMPLE



HMI ORDERING INFORMATION

| Models | Description |
|----------|--|
| FP2043T | 4.3" TFT, 24VDC, 2 Serial ports (1 RS232, 1 RS485), 1 USB device |
| FP2043TN | 4.3" TFT, 24VDC, 2 Serial ports (1 RS232, 1 RS485), 1 USB device, 1 Ethernet |
| FP2070T | 7" TFT, 24VDC, 2 Serial ports (RS232/RS485), 1 USB device, |
| FP2070TN | 7" TFT, 24VDC, 2 Serial ports (RS232/RS485), 1 USB device, 1 Ethernet |

SUPPORTED OBJECTS

Drawing Tools

| |
|--------------------------|
| Line, Rectangle, Ellipse |
| Rounded Rectangle |
| Text, Multilingual text |
| Picture |

Data Entry / Data Display

| |
|--------------|
| Numeric data |
| Bit data |

Clock Objects

| |
|------|
| Time |
| Date |

Advance Objects

| |
|-------------------|
| Buttons |
| Lamps |
| Bargraph |
| Multiple Bargraph |
| Analog Meter |
| Alarm |
| Numeric Keypad |
| ASCII Keypad |
| Custom Keypad |

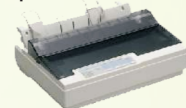
Supported Tasks

| |
|-----------------------|
| Button specific tasks |
| Global tasks |
| Screen specific tasks |
| Data exchange tasks |

Supported Printer

FlexiPanels® support following Dot Matrix serial printers:

- ◆ EPSON
- ◆ SAMSUNG
- ◆ TVS

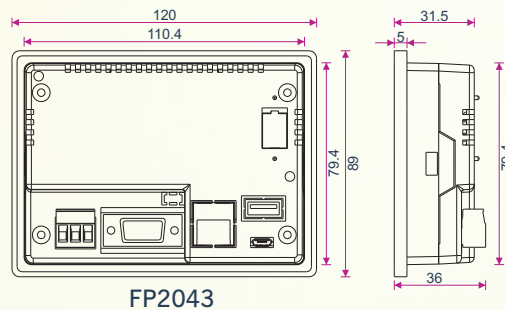


SUPPORTED PROTOCOLS

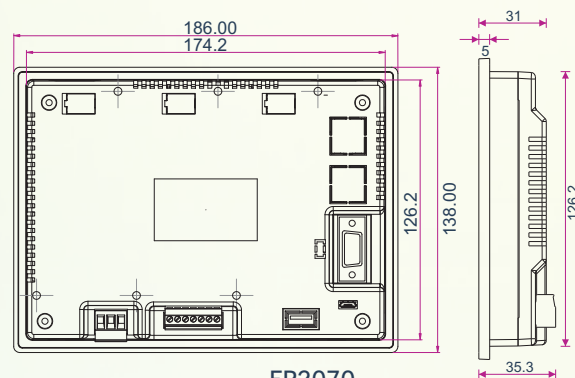
| |
|-----------------------------------|
| ABB PLCs |
| Allen Bradley DF1 |
| Panasonic FP Series |
| Baldor |
| Danfoss Drive |
| Delta PLCs |
| Fatek PLCs |
| FlexiLogics Master Driver |
| FlexiLogics Slave Driver |
| G9SP Safety Controller |
| GE SNP |
| GE SNP-X |
| Idec PLCs |
| Keyence KV Series |
| LG Master K Series PLC |
| LG Master-K 300S |
| Mitsubishi FX |
| Mitsubishi Q series PLCs (Serial) |
| Modbus ASCII (Unit as Master) |

| |
|-----------------------------------|
| Modbus RTU (Unit as Master) |
| Modbus RTU (Unit as Slave) |
| Modbus/TCP Master (Client) |
| Modbus/TCP Server (Slave) |
| Omron Host Link |
| Omron Inverter Memobus |
| Siemens Micromaster Driver (USS) |
| Siemens Step-7 Micro |
| Siemens Profinet PLCs |
| Toshiba (Link Port) Series PLCs |
| Toshiba Inverters PLC |
| Toshiba T Series |
| Toshiba PLC Ethernet Driver |
| Twido PLCs |
| Unitelway PLCs |
| Universal Serial Driver (ASCII) |
| Tri PLC |
| AB PLC EIP PCCC |
| Logix 5000 PLCs |
| Universal Ethernet Driver (ASCII) |

DIMENSIONS



FP2043



FP2070

 **ESIS**
Industrial Electronics

www.esis.com.au
Ph 02 9481 7420
Fax 02 9481 7267
Email: esis.enq@esis.com.au

Please contact factory for more information. We welcome an opportunity to develop new, custom drivers and customized units.



HEAD OFFICE
Survey No. 2/6, Baner Road,
Pune - 411045, India.
Tel : +91 20 2729 2840 - 46
Email : info@renuelectronics.com

FACTORY
Gat No. 1163, Ghotawade,
Tal - Mulshi, Pune - 412115, India.
Tel: +91 20 6687 2900

REGIONAL OFFICES

- Ahmedabad
- Bangalore
- Chennai
- Coimbatore
- Hyderabad
- Mumbai
- New Delhi

OVERSEAS DISTRIBUTORS

- USA
- Europe
- Asia Pacific