

Noise sensor is a kind of digital and modular multi-function sound level meter. Using a digital signal processing chip and digital detection technology, has a high reliability, good stability, wide dynamic range, without range switching, etc. Can be widely applied to various machines, vehicles, ships, electrical appliances and other industrial noise measurement, can also be used for environmental noise measurement, labor protection, industrial hygiene.

FEATURES

- High Sensitivity
- Fast response
- Low consumption
- Excellent stability
- Long service life



APPLICATIONS

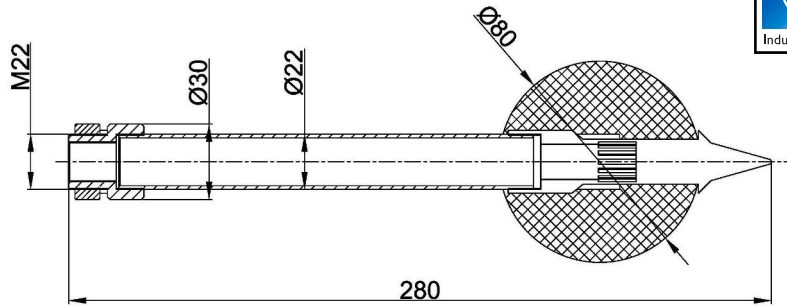
- Environment quality monitoring
- Smart home
- Warehousing
- Public place
- Labor protection
- Animal husbandry

TECHNICAL SPECIFICATION

| Item | Technical Specification |
|-----------------------|--|
| Range | 30-130dB |
| Accuracy | ±3dB@23±5°C, accordance with IEC 61672 standard type 2, calibrated at 94dB(1kHz) input |
| Frequency response | 31.5Hz - 8kHz. |
| Corrector | B&K 4226 |
| Microphone | Capacitive microphone , size: 0.5 inch |
| Supply | 5VDC, 12-24VDC |
| Output | RS485 |
| Power Consumption | <20mW |
| Response Time | <200ms |
| Operating Temperature | -10°C - +50°C @ 5-80%RH |
| Storage | -40-70°C @ 20%-90%RH |
| Shell Material | ABS & 304SS |

DIMENSION

Unit:mm




ESIS
Industrial Electronics

www.esis.com.au
Ph 02 9481 7420
Fax 02 9481 7267
esis.enq@esis.com.au

PARAMETER SELECTION TABLE

| Remark | Series | Type | Supply | Output | Cable Length | |
|--------|--------|------|--------|--------|--------------|-------------------|
| RK | | | | | | |
| | 300 | | | | | |
| | | 06 | | | | |
| | | | A | | | 5V |
| | | | B | | | 12-24V |
| | | | X | | | Other |
| | | | | A | | RS485(MODBUS-RTU) |
| | | | | X | | Other |
| | | | | | 2000 | Units:mm (typ) |
| | | | | | 3000 | Units:mm |
| | | | | | ... | Units:mm |




Example: RK300-06BA2000 Supply:12-24V, Output:RS485, Cable Length:2m.

CE Complies with applicable CE directives.

Specifications subject to change without notice. Version 3.0
Copyright © 2015 Hunan Rika Electronic Technology Co.,Ltd

Hunan Rika Electronic Technology Co., Ltd

Add:No 499# of Yingxin Road,
Yuhua District,Changsha,
Hunan,China

-  +86-731-85132979
-  info@rikasensor.com
-  www.rikasensor.com.cn