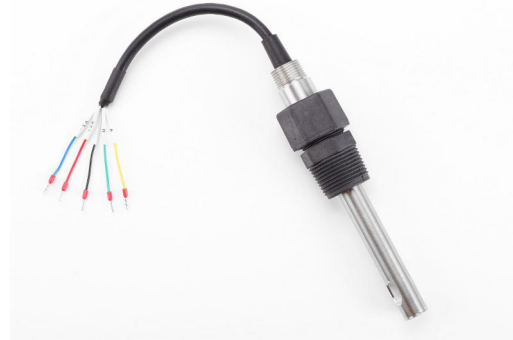


FEATURES

- On-line & real-time measurement
- titanium alloy electrode & teflon lining
- High accuracy
- Electromagnetic isolation
- Strong resistance to corrosion
- Polarization Resistance
- High temperature resistance
- Integral design without external transmitter



APPLICATIONS

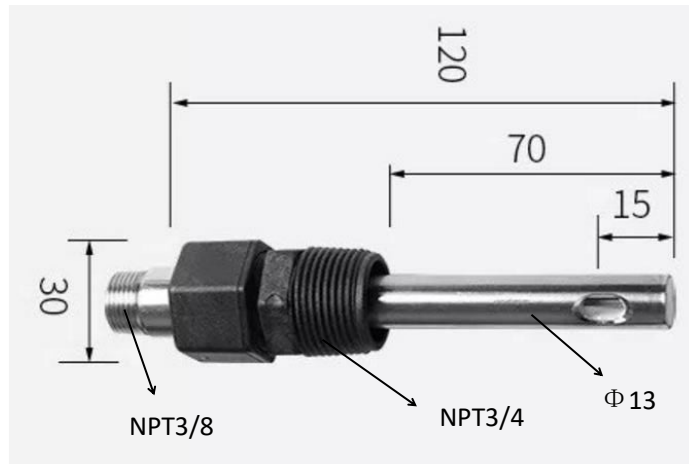
- Environmental protection
- Aquaculture
- Water source monitoring
- Environmental monitoring
- Sewage treatment
- Oil and gas pipeline corrosion monitoring

TECHNICAL SPECIFICATION

| Item | Technical Specification | |
|--------------------------|---|--|
| | EC | Salinity |
| Measuring medium | Liquid | |
| Principle | Frequency conversion method | |
| Range | 0~500us/cm, 0~5000us/cm, 0~10000us/cm, 0~200000us/cm(any range of 0-300ms/cm can be customized, 1ms/cm = 1000us/cm) | 0~100000ppm(mg/L) 1ppm(mg/L)=1000ppb(ug/L)=1000000ppt(ng/L) |
| Supply | 7-30VDC(power consumption<0.2W) | |
| Accuracy | ±1% | |
| Response time | 1s | |
| Output Signal | 4-20mA & RS485 at the same time | |
| Electrode | Titanium alloy | |
| Temperature compensation | | Automatic compensation |
| Drift | ≤0.3%FS/24h | |
| Operating Temperature | -20℃-+80℃ | |
| Probe material | 316L or ABS(Strongly corrosive liquids) | |
| Ingress Protection | IP68 | |
| Storage | 10-60℃@20%-90%RH | |
| Cable length | Default:5m | |

DIMENSION

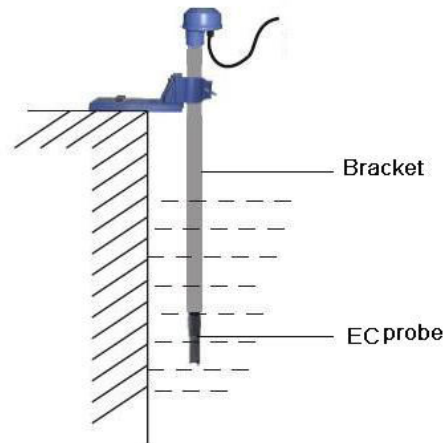
Unit: mm



INSTALLATION & USAGE

- Directly into the liquid
- Adopt submersible mounting bracket(show in the below figure)

Mounting bracket(length=1m):



PARAMETER SELECTION TABLE

| Remark | Series | Type | Parameter | Supply | Output | Accessory | Cable Length | |
|--------|--------|------|-----------|--------|--------|-----------|--------------|-----------------------|
| RK | | | | | | | | |
| | 500 | | | | | | | |
| | | 13 | | | | | | |
| | | | E | | | | | EC |
| | | | S | | | | | Salinity |
| | | | | A | | | | 7-30V |
| | | | | X | | | | Other |
| | | | | | A | | | 4-20mA |
| | | | | | B | | | RS485 |
| | | | | | X | | | Other |
| | | | | | | A | | With mounting bracket |
| | | | | | | N | | Without any accessory |
| | | | | | | | 5000 | Unit(mm) |
| | | | | | | | ... | Unit(mm) |

Example: RK500-13EAAAN5000 EC sensor, Supply:7-30V, Output:4-20mA, Without any accessory, Cable length:5m.



www.esis.com.au
 Ph 02 9481 7420
 Fax 02 9481 7267
 esis.enq@esis.com.au

CE Complies with applicable CE directives.

Specifications subject to change without notice. Version 3.0
 Copyright © 2015 Hunan Rika Electronic Technology Co.,Ltd

Hunan Rika Electronic Technology Co., Ltd

Add:No 499# of Yingxin Road,
 Yuhua District,Changsha,
 Hunan,China

+86-731-85132979
 info@rikasensor.com
 www.rikasensor.com.cn