

# RK150-01 Wind Speed Display Controller



The RK150-01 wind speed display controller gives a visual indication of real-time wind speed, with a LED digital display. In its housing shell, built in a microprocessor with the function of high performance, low power consumption. The wind speed early warn value and alarm value can be set by buttons on the panel. When alarming, the signal output can be controlled by relay. RK150-01 is the companion to our RK100-01 wind speed sensor.

## FEATURES

- Easy operation
- Visual display
- Real-time monitoring
- Rapid response
- Low power consumption
- With self-checking function
- 2 relays correspond to early warning and alarm



## APPLICATIONS

- Weather monitoring stations
- Safety monitoring of high altitude equipment
- Ports
- Solar and wind power generation
- Mobile weather monitoring vehicles
- Marine vessels
- Remote airports & helipads
- Road & rail tunnels

## SPECIFICATIONS

Items	Specification	
Range	0-60m/s	0-216km/h
Resolution(display)	0.1m/s	0.1km/h(<100km/h) 1km/h(≥100km/h)
Accuracy(sensor)	±1m/s	
Alarm response time	<100mS	
Type of alarm	Sound and light alarm	
Contact capacity	5A@30VDC	
Early warning	Any value within 1 m/s ~40 m/s, the early warning value must be lower than the alarm value	Any value within 1km/h ~99km/h, the early warning value must be lower than the alarm value
Alarm	Any value within 1 m/s~40 m/s	Any value within 1km/h ~144km/h
Operating Temperature	-30℃~+70℃	
Power supply	AC100-240V/DC12V/DC24V	
Power consumption	With wire:<3W(sensor & controller)	
	Wireless:sensor: 0.25W,controller: 2.5W	

# RK150-01 Wind Speed Display Controller

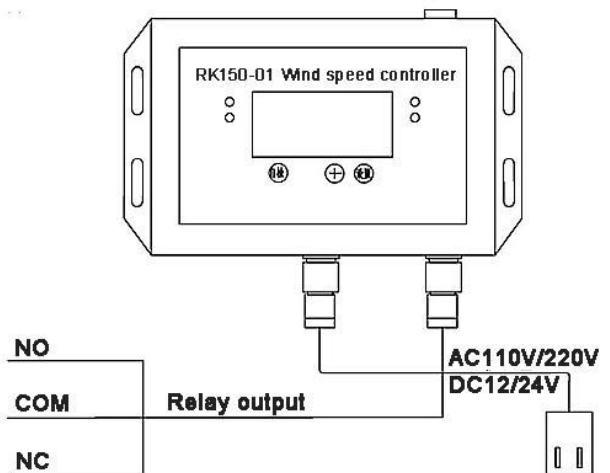
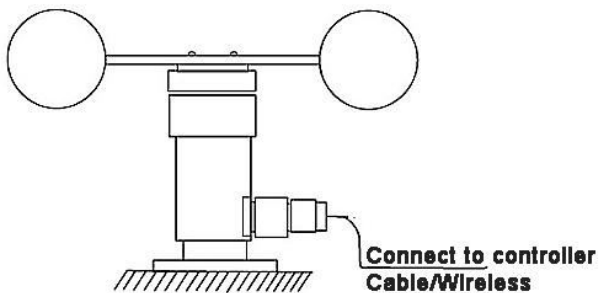
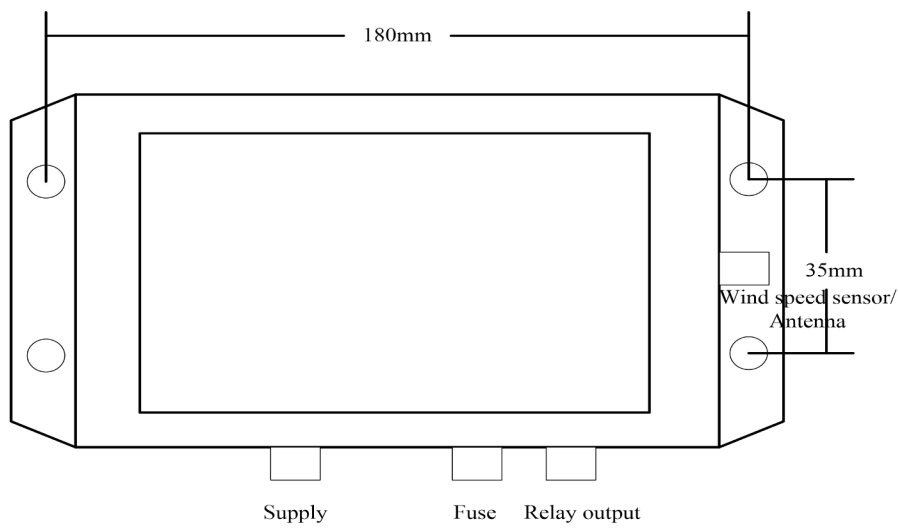


www.rikasensor.com.cn

Ingress Protection	Controller:IP54,wind speed sensor:IP65
Weight(unpacked)	Controller:315g,wind speed sensor:240g
Main material	Controller:ABS,wind speed sensor:Aluminum alloy & 304SS
Storage Condition	10°C-50°C@20%-90%RH

## MOUNTING

Four  $\varnothing 4.5\text{mm}$  mounting pole



## WIRELESS(433MHZ) CONNECTION





**ESIS**  
Industrial Electronics

www.esis.com.au  
Ph 02 9481 7420  
Fax 02 9481 7267  
esis.enq@esis.com.au

## PARAMETER SELECTION TABLE

Remark	Series	Type	Range	Supply	Unit	Cable Length	
RK							
	150						
		01					
			A				
			B				0-60m/s(0-216km/h)
				A			100-240VAC
				B			24VDC
				X			Other
					M		m/s
					K		km/h
						L0	Wireless(effective distance:1000m)
						L15000	Units:mm(typ)
						L30000	Units:mm
						L50000	Units:mm
						...	Units:mm

Example: RK150-01BAML15000 Range: 0-60m/s, Supply:100-240VAC, Unit: m/s, Cable Length:15m.


 Complies with applicable CE directives.

Specifications subject to change without notice. Version 3.0

Copyright © 2015 Hunan Rika Electronic Technology Co.,Ltd

**Hunan Rika Electronic Technology Co., Ltd**

Add:No 499# of Yingxin Road,  
Yuhua District,Changsha,  
Hunan,China

 +86-731-85132979

 info@rikasensor.com

 www.rikasensor.com.cn